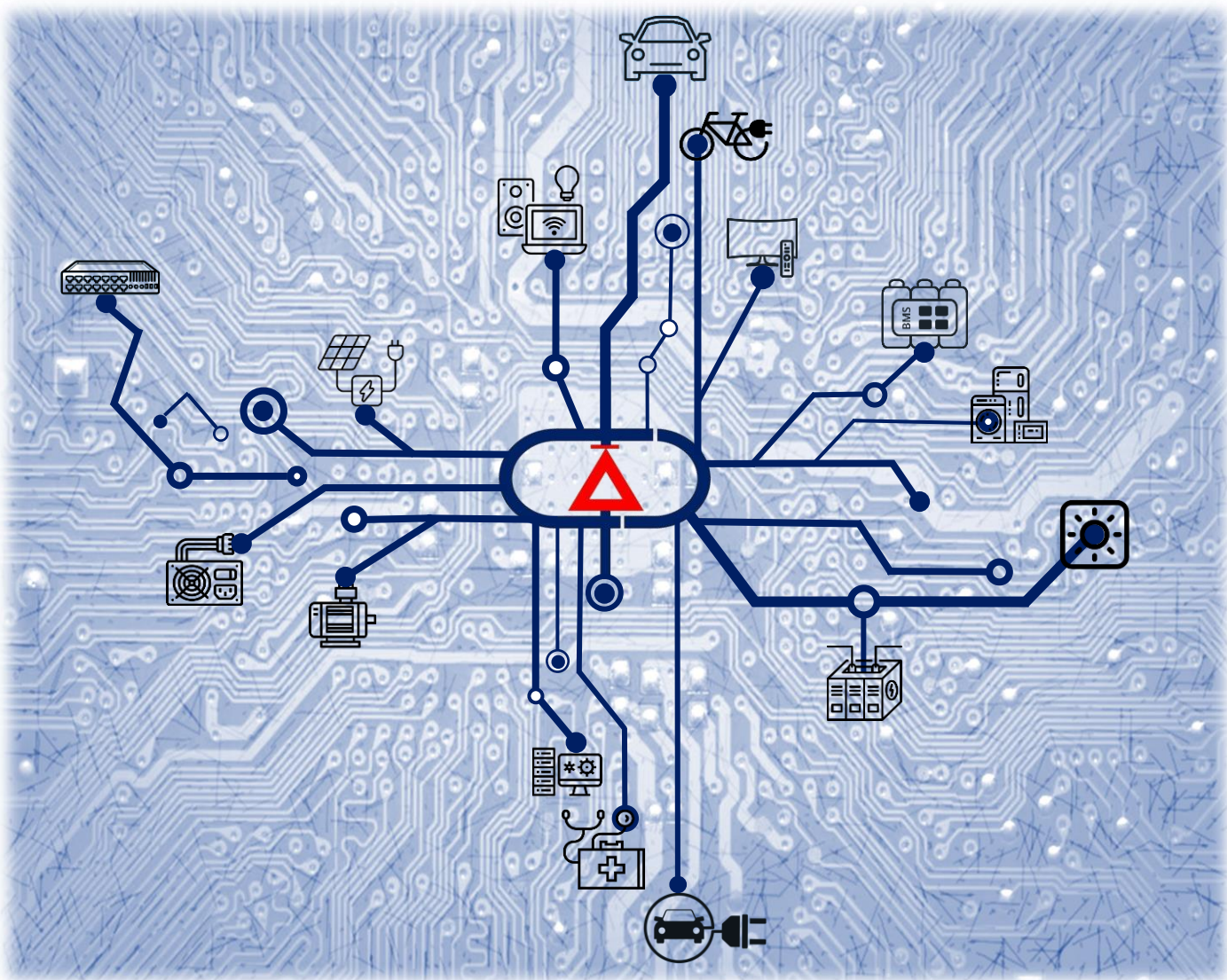


# ALPINESEMI™

*beyond boundaries...*

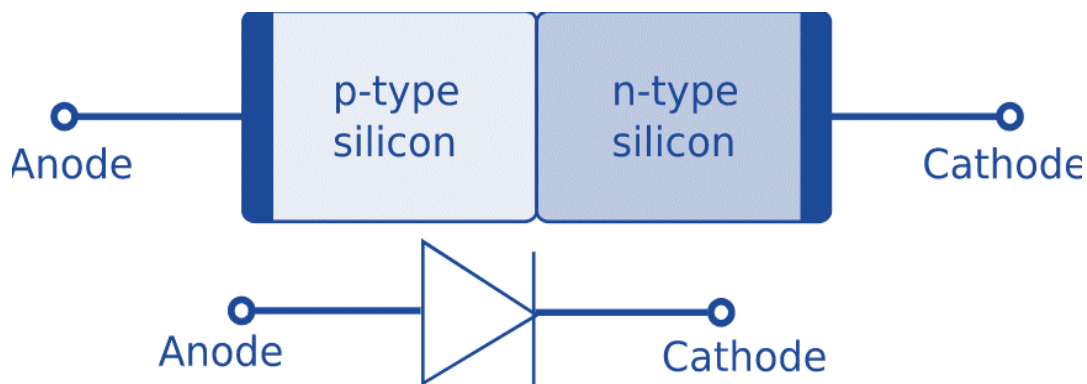


## SWITCHING DIODES

### Short Form Catalogue

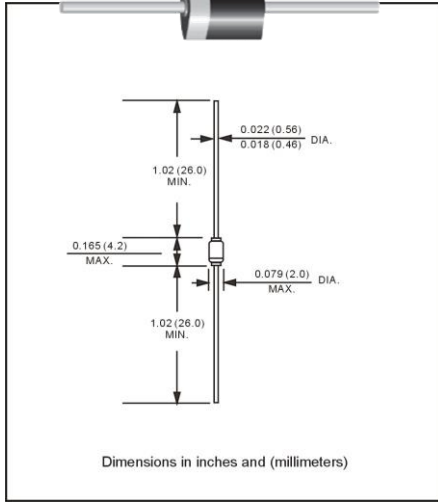
# SWITCHING DIODES

## Short Form Catalogue

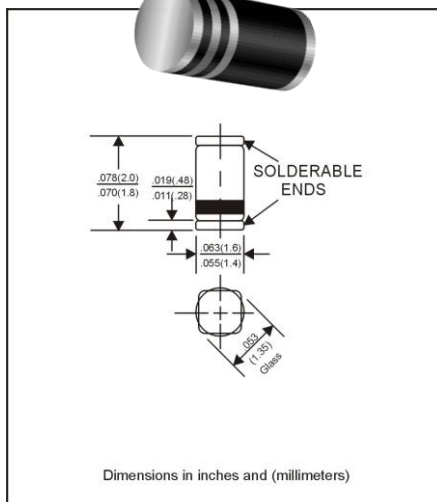




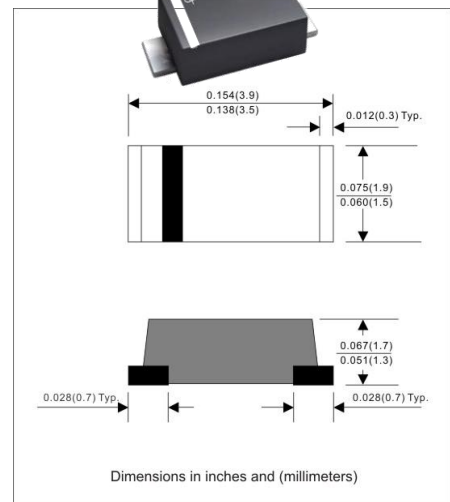
## DO-35G



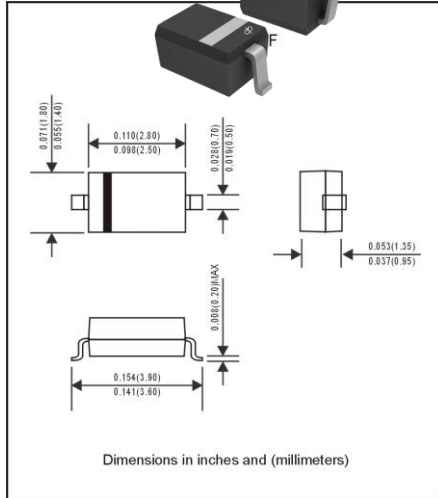
## GLASS MICRO-MELF



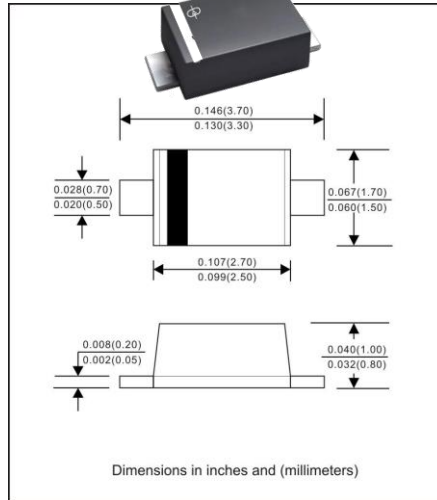
## SOD-123



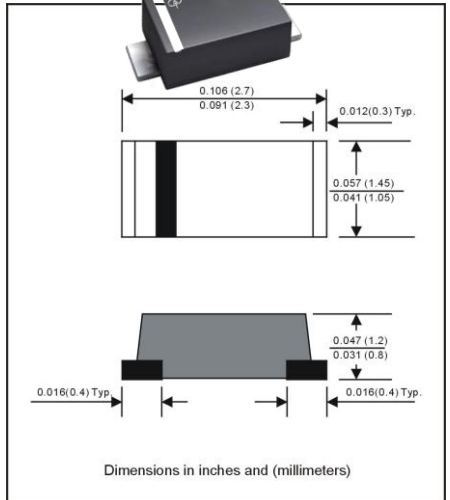
## SOD-123F



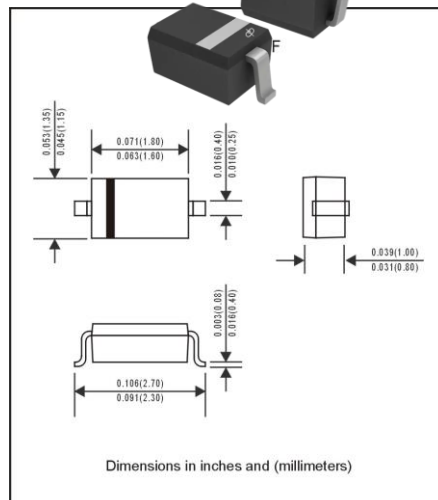
## SOD-123FL



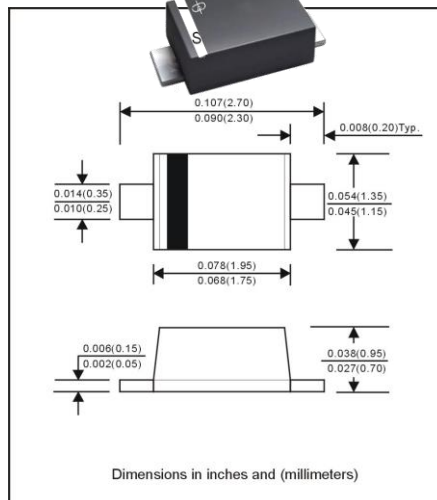
## SOD-323



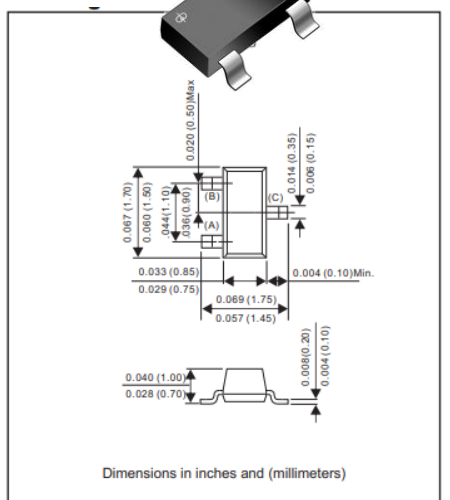
## SOD-323F



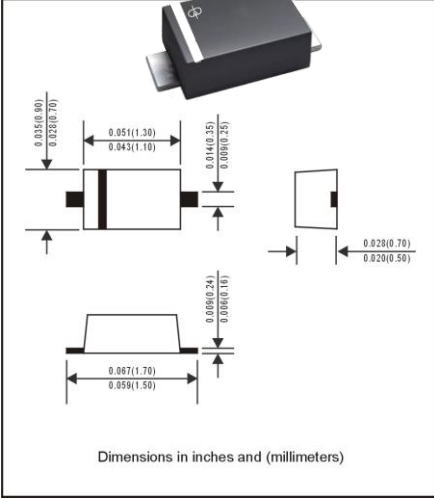
## SOD-323FL



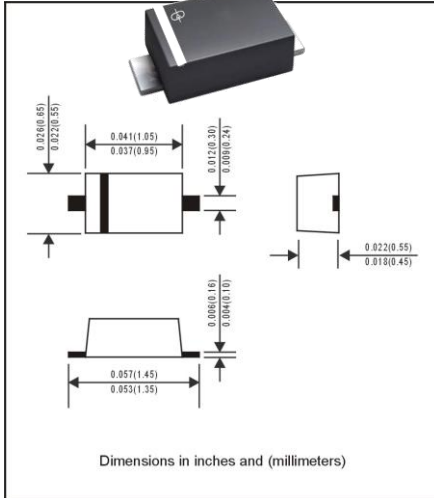
## SOD-523



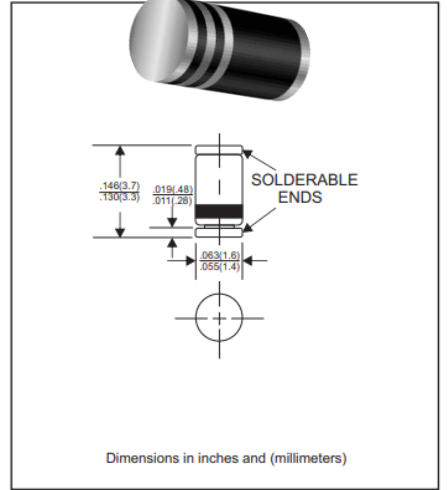
## SOD-523FL



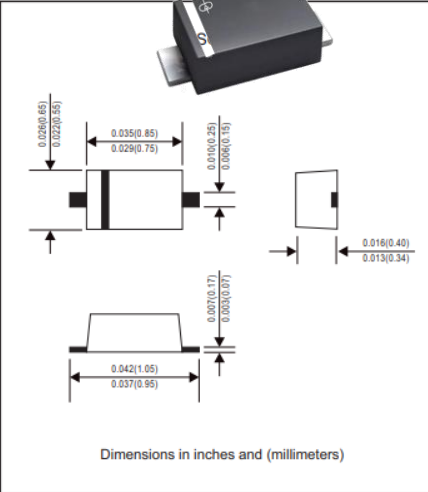
## SOD-723FL



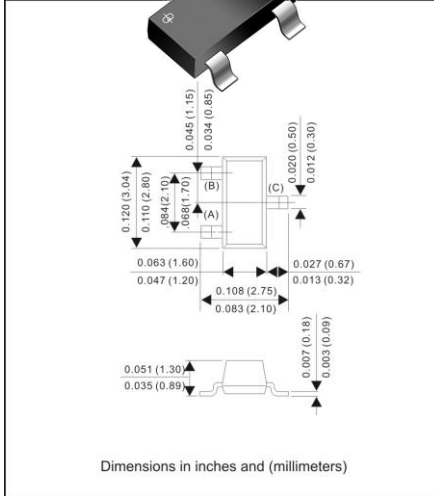
## SOD-80



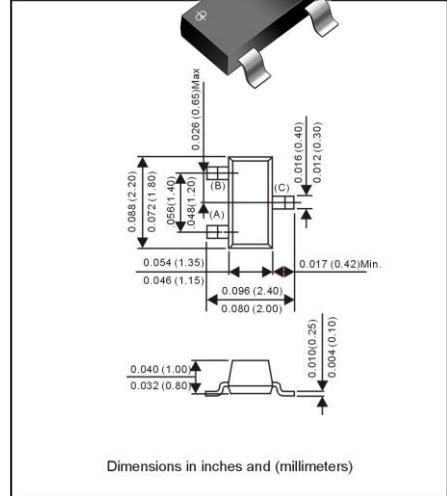
## SOD-923FL



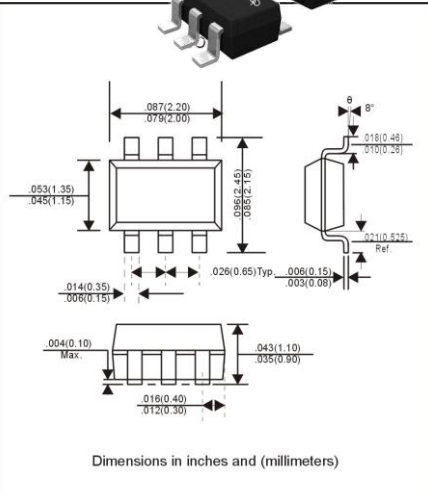
## SOD-23F



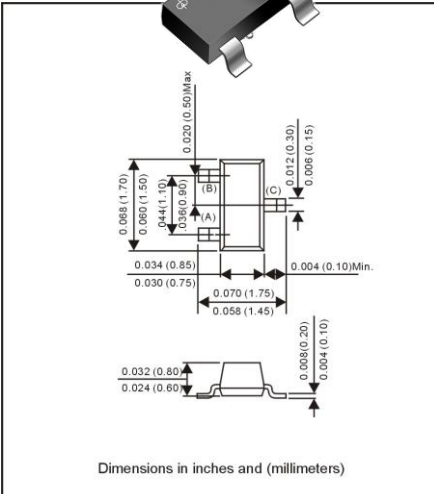
## SOT-323



## SOT-363



## SOT-523



Alpinesemi™ Part Number	V <sub>RRM</sub> (V)	I <sub>F(AV)</sub> (mA)	V <sub>F_MAX</sub> (V)	I <sub>R_MAX</sub> (μA)	t <sub>rr</sub> (ns)	PACKAGE
ALPBAV100	60	100	1	0.1	50	SOD-80
ALPBAV70	70	150	1.25	2.5	6	SOT-23
ALPBAW56	70	150	1.25	2.5	6	SOT-23
ALPMMBD6050	70	100	1.1	0.1	4	SOT-23
ALPMMBD6100	70	100	1.1	0.1	4	SOT-23
ALP1N4148W	75	2	1.25	1		SOD-123
ALP1N4148WT	75	2	1.25	1		SOD-523
ALP1N4148WX	75	2	1	5		SOD-323
ALPBAS16	75	150	1.25	1	6	SOT-23
ALPBAS16W	75	150	1.25	1	6	SOT-323
ALPBAV70W	75	150	1.25	2.5	6	SOT-323
ALPBAV99W	75	150	1.25	2.5	6	SOT-323
ALPBAW56W	75	150	1.25	2.5	6	SOT-323
ALPLL4148	75	0.5	1	5		MiniMELF
ALPBAL99	80	150	1.25	2.5	6	SOT-23
ALPBAS16T	85	150	1.25	2	4	SOT-523
ALPBAS516	85	150	1.25	1	4	SOD-523FL
ALPBAV70T	85	150	1.25	2	4	SOT-523
ALPBAV99	85	150	1.25	2.5	6	SOT-23
ALPBAV99T	85	150	1.25	2	4	SOT-523
ALP1SS355	90	100	1.2	0.1	4	SOD-323F
ALP1SS355-FL	90	100	1.2	0.1	4	SOD-323FL
ALP1SS400	90	100	1.2	0.1	4	SOD-523FL
ALP1SS400D	90	100	1.2	0.1	4	SOD-923FL
ALP1SS400G	90	100	1.2	0.1	4	SOD-723FL
ALP1N4148	100	10	1	5	4	DO-35G
ALP1N4148W	100	10	0.855	2.5	4	SOD-123F
ALP1N4148W-FL	100	10	1	5	4	SOD-123FL
ALP1N4148WS	100	10	0.855	1	4	SOD-323F
ALP1N4148WS-FL	100	10	0.855	1	4	SOD-323FL
ALP1N4148WT	100	10	0.855	1	4	SOD-523FL
ALP1N4448	100	100	1	5	4	DO-35G
ALP1N4448W	100	100	1	2.5	4	SOD-123F
ALP1N4448WS	100	100	1	5	4	SOD-323F
ALP1N4448WS-FL	100	100	1	5	4	SOD-323FL
ALP1N4448WT	100	100	1	1	4	SOD-523FL
ALP1N914B	100	100	1	5	4	DO-35G
ALPBAS16TW	100	150	1.25	1	4	SOT-363
ALPBAV16W	100	150	1.25	1	4	SOD-123F
ALPBAV16WS	100	150	1.25	1	4	SOD-323F
ALPBAV70DW	100	150	1.25	2.5	4	SOT-363
ALPBAV756DW	100	150	1.25	2.5	4	SOT-363
ALPBAV99BRW	100	150	1.25	2.5	4	SOT-363

Alpinesemi™ Part Number	V <sub>RRM</sub> (V)	I <sub>F(AV)</sub> (mA)	V <sub>F_MAX</sub> (V)	I <sub>R_MAX</sub> (μA)	t <sub>rr</sub> (ns)	PACKAGE
ALPBAV99DW	100	150	1.25	2.5	4	SOT-363
ALPBAW567DW	100	150	1.25	2.5	4	SOT-363
ALPBAW56DW	100	150	1.25	2.5	4	SOT-363
ALPLL4148	100	10	1	5	4	SOD-80
ALPLL4448	100	100	1	5	4	SOD-80
ALPMCL4148	100	10	1	5	4	Glass MicroMelf
ALPMCL4448	100	100	1	5	4	Glass MicroMelf
ALPMMBD4148A	100	10	1	5	4	SOT-23
ALPMMBD4148CA	100	10	1	5	4	SOT-23
ALPMMBD4148CC	100	10	1	5	4	SOT-23
ALPMMBD4148SE	100	10	1	5	4	SOT-23
ALPMMBD4148TW	100	10	0.855	1	4	SOT-363
ALPMMBD4148W	100	10	0.855	1	4	SOT-323
ALPMMBD4448	100	100	1	2.5	4	SOT-23
ALPMMBD4448HADW	100	100	1	0.1	4	SOT-363
ALPMMBD4448HAQW	100	100	1	0.1	4	SOT-363
ALPMMBD4448HCDW	100	100	1	0.1	4	SOT-363
ALPMMBD4448HSDW	100	100	1	0.1	4	SOT-363
ALPMMBD4448HTW	100	100	1	0.1	4	SOT-363
ALPMMBD4448W	100	100	1	2.5	4	SOT-323
ALPMMBD7000	100	100	1	3	4	SOT-23
ALPMMBD914	100	10	1	5	4	SOT-23
ALPMMBD914WS	100	10	1	5	4	SOD-323F
ALPBAS19	120	200	1.25	0.1	50	SOT-23
ALPBAS19W	120	200	1.25	0.1	50	SOT-323
ALPBAV101	120	100	1	0.1	50	SOD-80
ALPBAV19	120	100	1	0.1	50	DO-35G
ALPBAV19W	120	200	1.25	0.1	50	SOD-123F
ALPBAV19WS	120	200	1.25	0.1	50	SOD-323F
ALPBAS20	200	200	1.25	0.1	50	SOT-23
ALPBAS20W	200	200	1.25	0.1	50	SOT-323
ALPBAV102	200	100	1	0.1	50	SOD-80
ALPBAV20	200	100	1	0.1	50	DO-35G
ALPBAV20W	200	200	1.25	0.1	50	SOD-123F
ALPBAV20WS	200	200	1.25	0.1	50	SOD-323F
ALPBAS21	250	200	1.25	0.1	50	SOT-23
ALPBAS21A	250	200	1.25	0.1	50	SOT-23
ALPBAS21C	250	200	1.25	0.1	50	SOT-23
ALPBAS21S	250	200	1.25	0.1	50	SOT-23
ALPBAS21W	250	200	1.25	0.1	50	SOT-323
ALPBAV103	250	100	1	0.1	50	SOD-80
ALPBAV19W-FL	250	200	1.25	0.1	50	SOD-123FL
ALPBAV20W-FL	250	200	1.25	0.1	50	SOD-123FL
ALPBAV21	250	100	1	0.1	50	DO-35G
ALPBAV21W	250	200	1.25	0.1	50	SOD-123F
ALPBAV21W-FL	250	200	1.25	0.1	50	SOD-123FL
ALPBAV21WS	250	200	1.25	0.1	50	SOD-323F

## DISCLAIMER

The product information and the selection guide facilitates the selection of the ALPINESEMI™'s Semiconductor Device(s) best suited for application in your product(s) as per your requirement. It is recommended that you completely review the Data sheet(s) so as to confirm that the Device(s) meets functionality parameters for your application. The information furnished on the Data Sheet and the ALPINESEMI™'s Web Site is believed to be accurate and reliable at the time of preparation of this document. ALPINESEMI™ however, does not assume any inaccuracies that may arise when the components are mounted and removed. Furthermore, ALPINESEMI™ does not assume liability whatsoever, arising out of the application or the use of any of ALPINESEMI™'s product(s). Neither, does it convey any license under its patent rights nor the rights of others. These products are not guaranteed for use in life saving/support appliances or systems. ALPINESEMI™'s customers using these products (either as individual Semiconductor Devices or incorporated in their end products), in any life saving/support appliances or systems or applications do so at their own risk and ALPINESEMI™ will not be responsible in any way(s) for any damage(s) resulting from such use.

Please check the website [www.alpinesemi.com](http://www.alpinesemi.com) for continues updates and revision of datasheets.

DESIGN CHANGES: ALPINESEMI™ strives for continuous improvement and reserves the right to change the specifications of its products without prior notice. ALPINESEMI™ reserves the right to discontinue product lines without prior notice. Any product selection is a recommendation based on best understanding of such product(s) by our engineers. However, buyers are advised to rely on their own judgment for such selection of the products.

ALPINESEMI™ makes no warranty, representation or guarantee regarding the suitability of its products for any particular applications. Neither does ALPINESEMI™ assume any liability arising out of the applications nor the use of such products. ALPINESEMI™ specifically disclaims all liabilities either consequential or incidental.

All rights of the product and datasheet are reserved to ALPINESEMI™.

All logos and information provided in the datasheets are for reference only. Any registered and/or trademark/logos belonging to respective companies be the property of those companies. ALPINESEMI™ extends the courtesy to them, if any of the information found in its datasheet.

### Component Disposal Instructions

1. ALPINESEMI™ Semiconductor Devices are RoHS compliant and hence customers are requested to dispose as per the prevailing Environmental Legislation put forth in their specific country.
2. In Europe, please dispose as per EU Directive 2002/96/EC on Waste Electrical and Electronic Equipment (WEEE).



ALPINESEMI

[sales@alpinesemi.com](mailto:sales@alpinesemi.com)

[www.alpinesemi.com](http://www.alpinesemi.com)