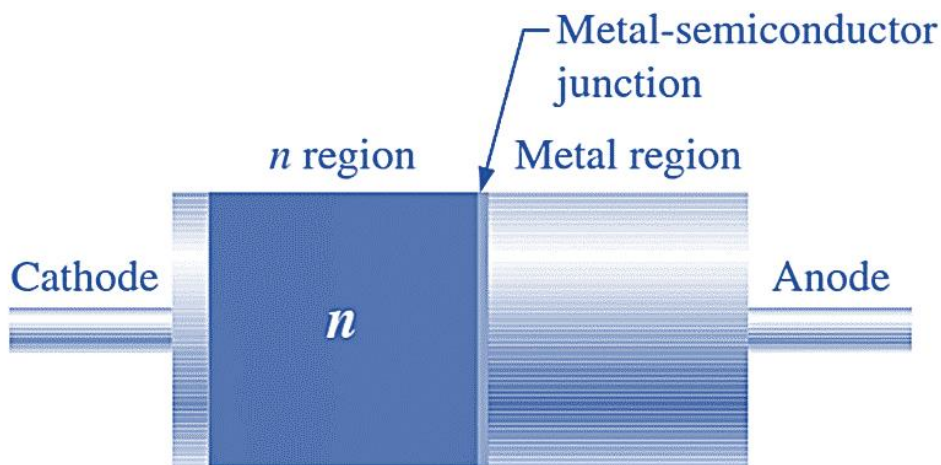
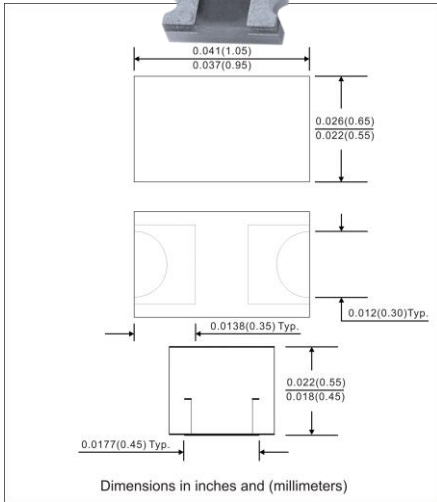


SMALL SIGNAL SCHOTTKY DIODES

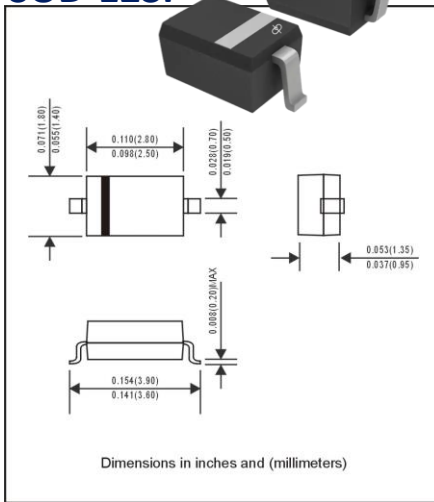
Short Form Catalogue



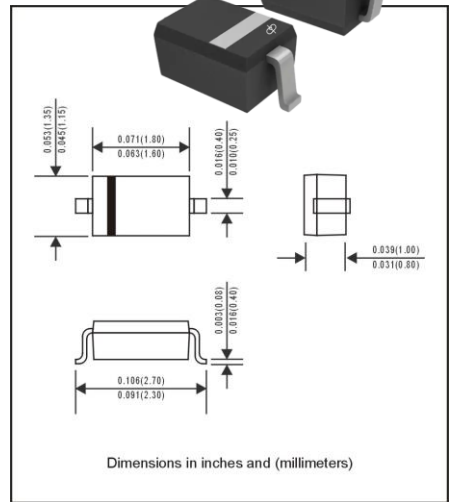
0402



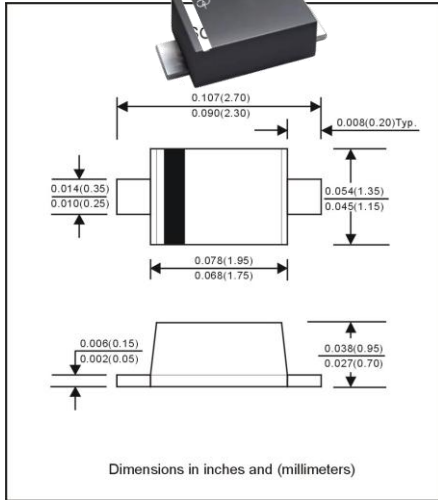
SOD-123F



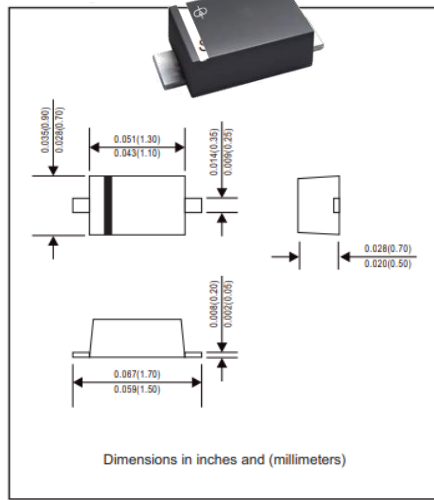
SOD-323F



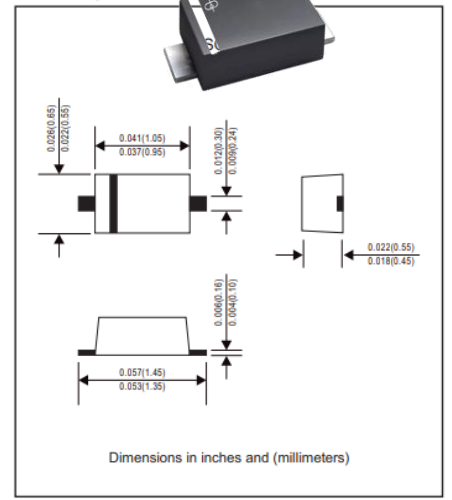
SOD-323FL



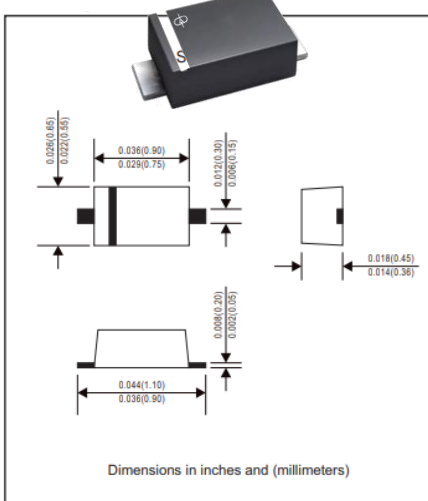
SOD-523FL



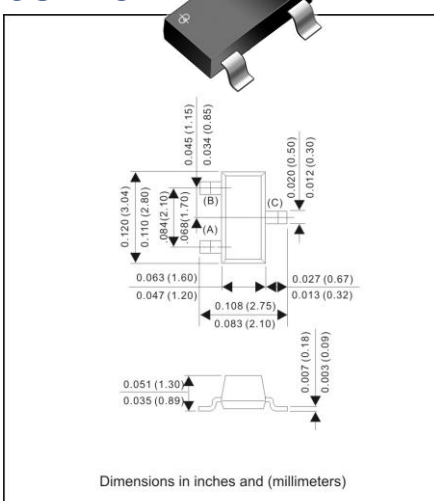
SOD-723FL



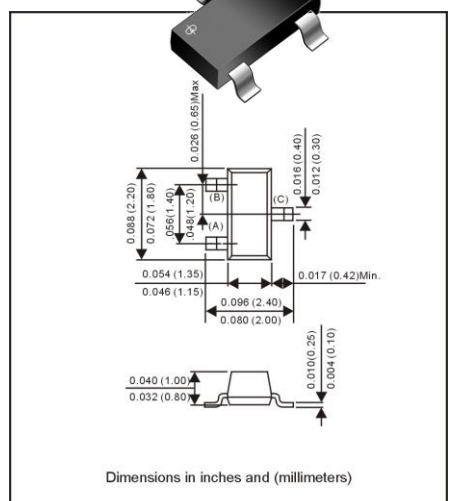
SOD-923FL



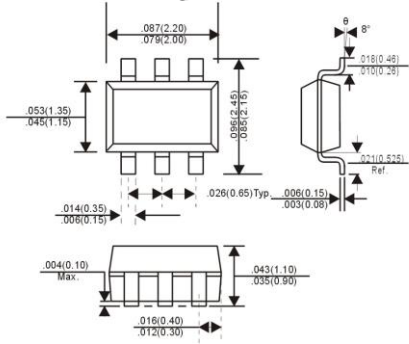
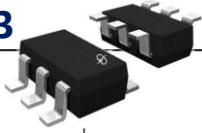
SOT-23



SOT-323

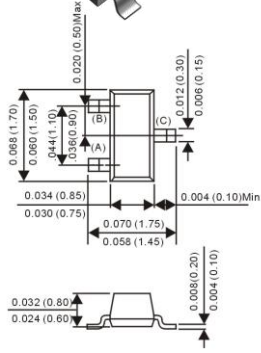


SOT-363



Dimensions in inches and (millimeters)

SOT-523



Dimensions in inches and (millimeters)

Alpinesemi™ Part Number	V _{RRM} (V)	I _{FSM} (A)	V _F (V)	I _{F_MAX} (mA)	I _R (μA)	PACKAGE
ALPSD103CW	20	1.5	0.6	200	5	SOD-123F
ALPSD103CWS	20	1.5	0.6	200	5	SOD-323F
ALPBAT42W	30	4	0.65	50	0.5	SOD-123F
ALPBAT42WS	30	4	0.65	50	0.5	SOD-323F
ALPBAT43W	30	4	0.45	15	0.5	SOD-123F
ALPBAT43WS	30	4	0.45	15	0.5	SOD-323F
ALPBAT54	30	0.6	1	100	2	SOT-23
ALPBAT54A	30	0.6	1	100	2	SOT-23
ALPBAT54ADW	30	0.6	1	100	2	SOT-363
ALPBAT54AW	30	0.6	1	100	2	SOT-323
ALPBAT54BRW	30	0.6	1	100	2	SOT-363
ALPBAT54C	30	0.6	1	100	2	SOT-23
ALPBAT54CDW	30	0.6	1	100	2	SOT-363
ALPBAT54CT	30	0.6	1	100	2	SOT-523
ALPBAT54CW	30	0.6	1	100	2	SOT-323
ALPBAT54S	30	0.6	1	100	2	SOT-23
ALPBAT54SDW	30	0.6	1	100	2	SOT-363
ALPBAT54ST	30	0.6	1	100	2	SOT-523
ALPBAT54SW	30	0.6	1	100	2	SOT-323
ALPBAT54T	30	0.6	1	100	2	SOT-523
ALPBAT54W	30	0.6	1	100	2	SOT-323
ALPBAT54WS	30	0.6	1	100	2	SOD-323F
ALPBAT54X	30	0.6	1	100	2	SOD-523FL
ALPFM551V-NL	30	2	0.54	500	100	SOD-323F
ALPFM723-NL	30	1.5	0.6	200	15	SOD-323F
ALPRB520D	30	0.5	0.45	10	0.5	SOD-923FL
ALPRB520G	30	0.5	0.45	10	0.5	SOD-723FL
ALPRB520S	30	1	0.6	200	1	SOD-523FL
ALPRB521D	30	0.5	0.35	10	10	SOD-923FL
ALPRB521G	30	0.5	0.35	10	10	SOD-723FL
ALPRB521S	30	1	0.5	200	30	SOD-523FL
ALPSD103BW	30	1.5	0.6	200	5	SOD-123F
ALPSD103BWS	30	1.5	0.6	200	5	SOD-323F
ALPSD103ATW	40	1	0.5	100	5	SOT-363
ALPB0540W	40	5.5	0.51	500	20	SOD-123F
ALPBAS40	40	0.2	1	40	1	SOT-23
ALPBAS40-04	40	0.2	1	40	1	SOT-23
ALPBAS40-04T	40	0.6	1	40	0.2	SOT-523

Alpinesemi™ Part Number	V _{RRM} (V)	I _{FSM} (A)	V _F (V)	I _{F_MAX} (mA)	I _R (μA)	PACKAGE
ALPBAS40-05	40	0.2	1	40	1	SOT-23
ALPBAS40-05T	40	0.6	1	40	0.2	SOT-523
ALPBAS40-06	40	0.2	1	40	1	SOT-23
ALPBAS40T	40	0.6	1	40	0.2	SOT-523
ALPBAS40W	40	0.6	1	40	0.2	SOT-323
ALPBAS40W-04	40	0.6	1	40	0.2	SOT-323
ALPBAS40W-05	40	0.6	1	40	0.2	SOT-323
ALPBAS40W-06	40	0.6	1	40	0.2	SOT-323
ALPBAS40WS	40	0.6	1	40	0.2	SOD-323F
ALPFM0240-V	40	1	0.6	200	5	402
ALPFM500V-NL	40	1	0.45	10	1	SOD-323F
ALPFM501V-NL	40	1	0.55	100	30	SOD-323F
ALPFM751V-FL	40	0.5	0.37	1	0.5	SOD-323FL
ALPFM751V-NL	40	0.2	0.37	1	0.5	SOD-323F
ALPRB520S-40	40	1	0.39	10	1	SOD-523FL
ALPRB751D	40	0.2	0.37	1	0.5	SOD-923FL
ALPRB751G	40	0.2	0.37	1	0.5	SOD-723FL
ALPRB751S	40	0.2	0.37	1	0.5	SOD-523FL
ALPSD103AW	40	1.5	0.6	200	5	SOD-123F
ALPSD103AWS	40	1.5	0.6	200	5	SOD-323F
ALP1SS388	45	1	0.6	10	5	SOD-523FL
ALPSD101AW	60	2	0.41	1	0.2	SOD-123F
ALPBAS70	70	0.1	1	15	10	SOT-23
ALPBAS70-04	70	0.1	1	15	10	SOT-23
ALPBAS70-04T	70	0.1	1	15	0.1	SOT-523
ALPBAS70-05	70	0.1	1	15	10	SOT-23
ALPBAS70-05T	70	0.1	1	15	0.1	SOT-523
ALPBAS70-06	70	0.1	1	15	10	SOT-23
ALPBAS70T	70	0.1	1	15	0.1	SOT-523
ALPBAS70W	70	0.1	1	15	0.1	SOT-323
ALPBAS70W-04	70	0.1	1	15	0.1	SOT-323
ALPBAS70W-05	70	0.1	1	15	0.1	SOT-323
ALPBAS70W-06	70	0.1	1	15	0.1	SOT-323
ALPBAS70WS	70	0.1	1	15	0.1	SOD-323F

DISCLAIMER

The product information and the selection guide facilitates the selection of the ALPINESEMI™'s Semiconductor Device(s) best suited for application in your product(s) as per your requirement. It is recommended that you completely review the Data sheet(s) so as to confirm that the Device(s) meets functionality parameters for your application. The information furnished on the Data Sheet and the ALPINESEMI™'s Web Site is believed to be accurate and reliable at the time of preparation of this document. ALPINESEMI™ however, does not assume any inaccuracies that may arise when the components are mounted and removed. Furthermore, ALPINESEMI™ does not assume liability whatsoever, arising out of the application or the use of any of ALPINESEMI™'s product(s). Neither, does it convey any license under its patent rights nor the rights of others. These products are not guaranteed for use in life saving/support appliances or systems. ALPINESEMI™'s customers using these products (either as individual Semiconductor Devices or incorporated in their end products), in any life saving/support appliances or systems or applications do so at their own risk and ALPINESEMI™ will not be responsible in any way(s) for any damage(s) resulting from such use.

Please check the website www.alpinesemi.com for continues updates and revision of datasheets.

DESIGN CHANGES: ALPINESEMI™ strives for continuous improvement and reserves the right to change the specifications of its products without prior notice. ALPINESEMI™ reserves the right to discontinue product lines without prior notice. Any product selection is a recommendation based on best understanding of such product(s) by our engineers. However, buyers are advised to rely on their own judgment for such selection of the products.

ALPINESEMI™ makes no warranty, representation or guarantee regarding the suitability of its products for any particular applications. Neither does ALPINESEMI™ assume any liability arising out of the applications nor the use of such products. ALPINESEMI™ specifically disclaims all liabilities either consequential or incidental.

All rights of the product and datasheet are reserved to ALPINESEMI™.

All logos and information provided in the datasheets are for reference only. Any registered and/or trademark/logos belonging to respective companies be the property of those companies. ALPINESEMI™ extends the courtesy to them, if any of the information found in its datasheet.

Component Disposal Instructions

1. ALPINESEMI™ Semiconductor Devices are RoHS compliant and hence customers are requested to dispose as per the prevailing Environmental Legislation put forth in their specific country.
2. In Europe, please dispose as per EU Directive 2002/96/EC on Waste Electrical and Electronic Equipment (WEEE).



ALPINESEMI

sales@alpinesemi.com

www.alpinesemi.com