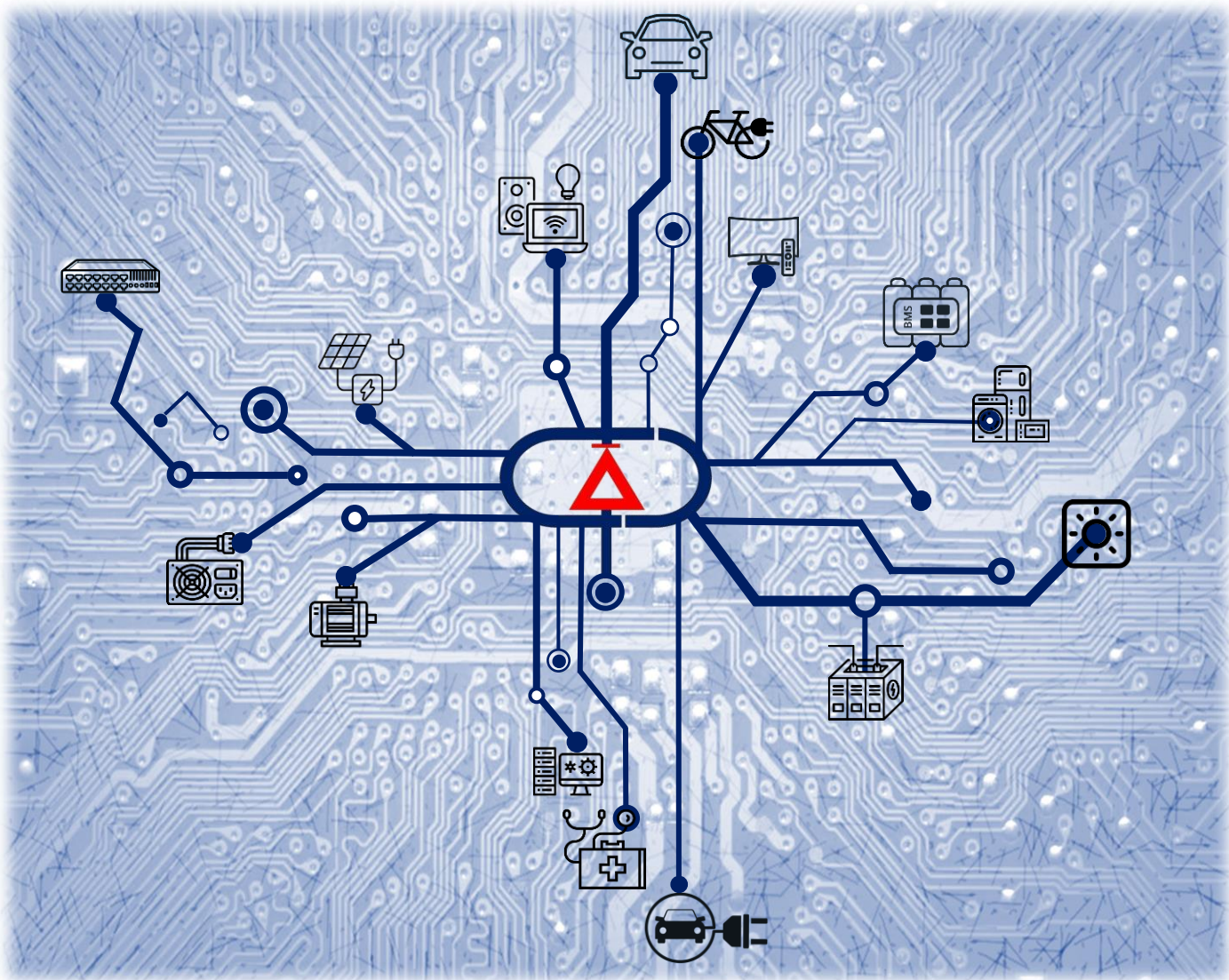


ALPINESEMI™

beyond boundaries...

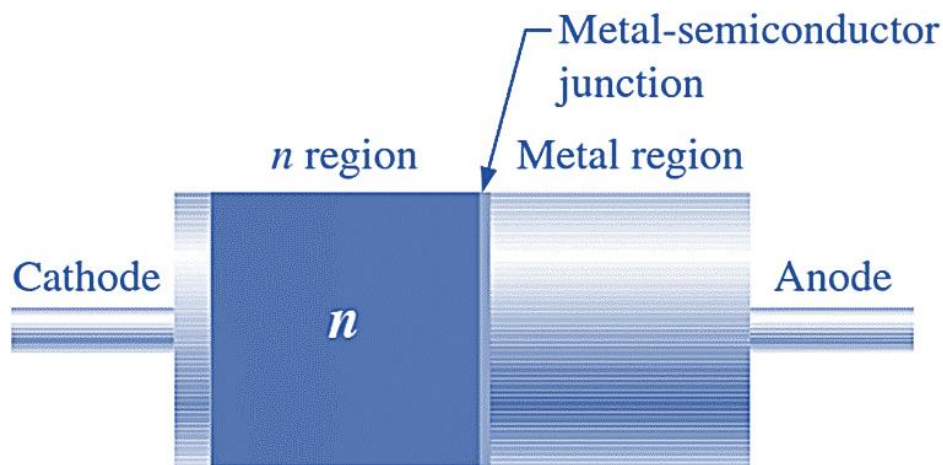


SCHOTTKY DIODES

Short Form Catalogue

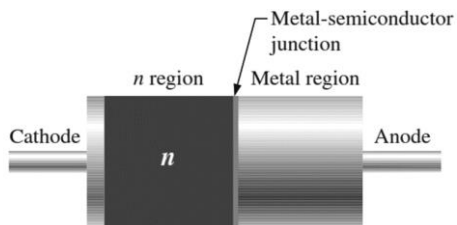
SCHOTTKY DIODES

Short Form Catalogue



SCHOTTKY DIODE:

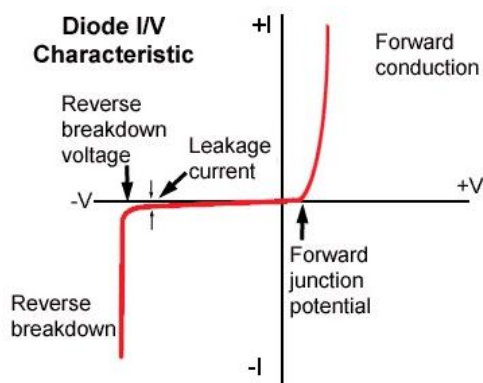
The Schottky Diode is a type of semiconductor diode that can be utilized in a variety of wave shaping, switching, and rectification applications as well as digital logic gates. Due to their low power and high switching rates, Schottky diodes are used in a wide range of applications.



CONSTRUCTION: Schottky Diodes are made up of a metal electrode attached to an N-type semiconductor. Schottky diodes have no depletion layer and are classified as unipolar devices..

IV-CHARACTERISTICS: When conducting, this metal-silicon contact has a low ohmic resistance, allowing more current to flow and resulting in a decreased forward voltage drop of about 0.3-0.5V.

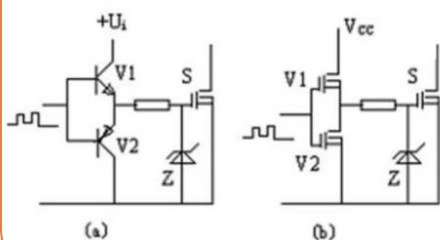
Depending on the metal electrode employed, the forward current of a silicon Schottky diode can be many times greater than that of a standard pn-junction diode due to this lower value. Note since power equals volts times amps ($P = V \cdot I$), therefore for a given diode current, I_d , a smaller forward voltage drop will result in less forward power dissipation in the form of heat across the junction.



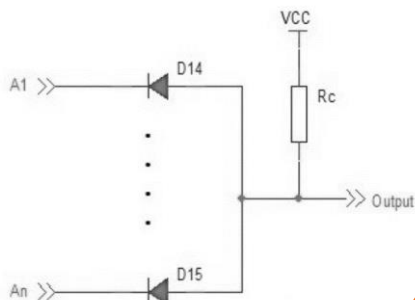
However, the reverse leakage current (I_R) of a Schottky diode is often substantially higher than that of a PN-junction diode.

APPLICATION: Schottky diode applied to dual power.

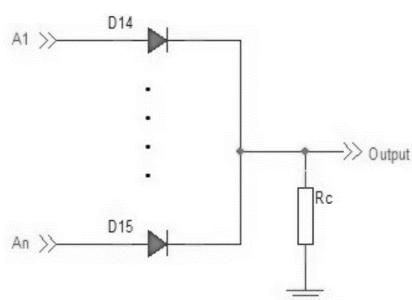
Schottky diode applied to dual power.



Schottky diodes used as AND gate

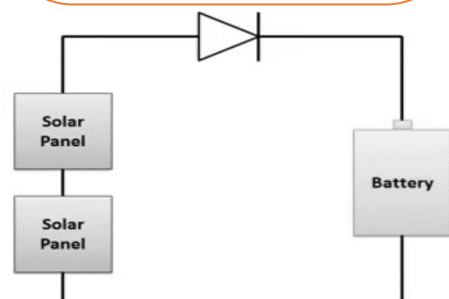


Schottky diodes used as OR gate

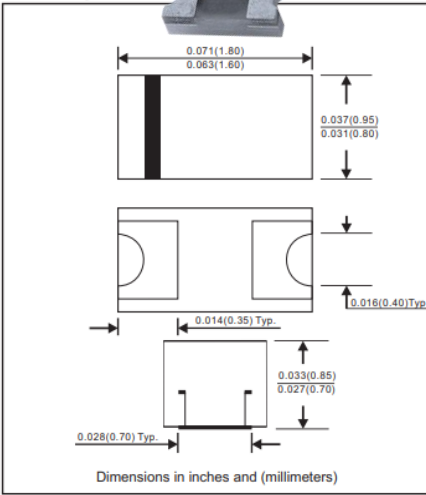


DISCHARGE PROTECTION:

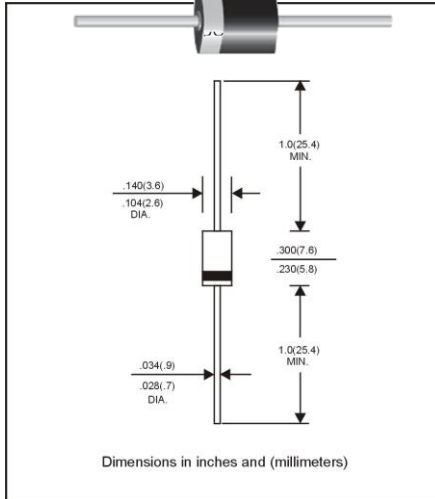
Schottky diodes are used in stand-alone ("off-grid") photovoltaic (PV) systems to prevent batteries from discharging through the solar panels at night, called "blocking diodes".



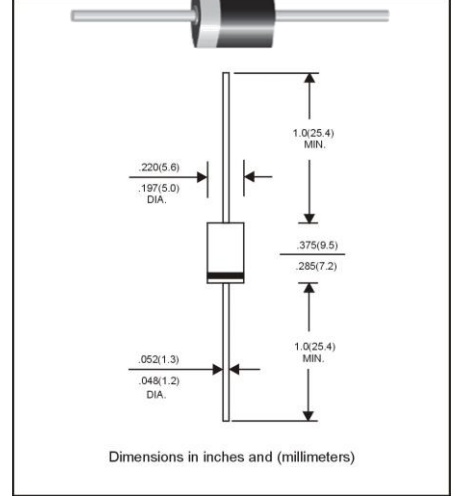
0603



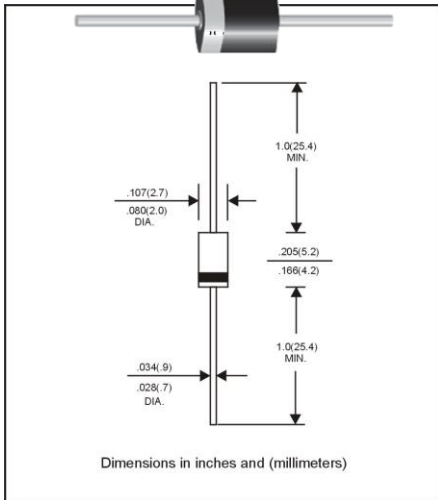
DO-15



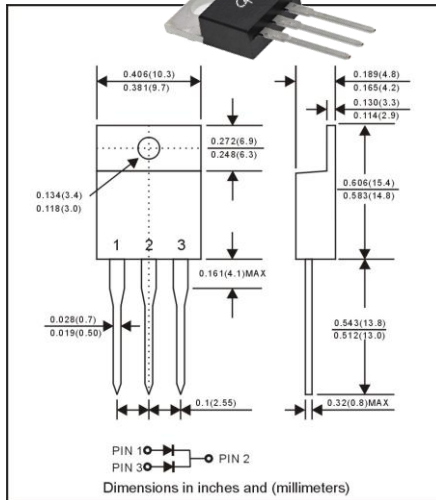
DO-201AD



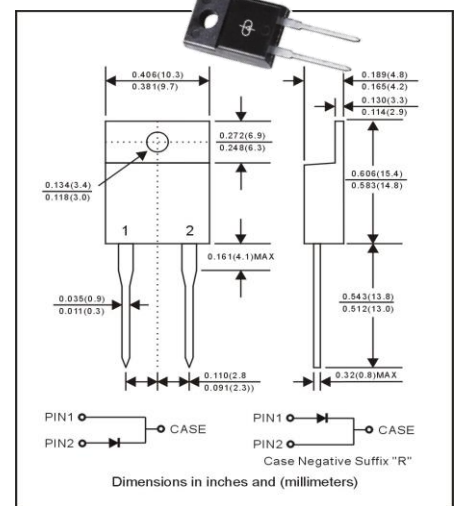
DO-41



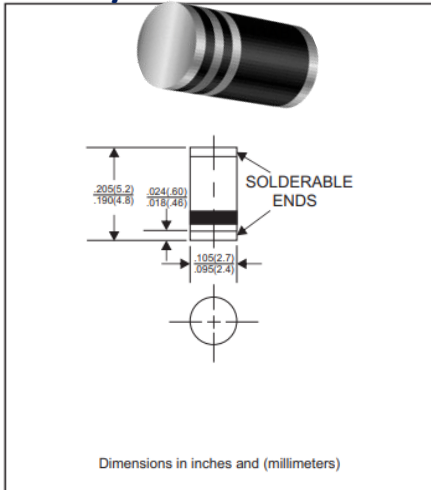
ITO-220AB



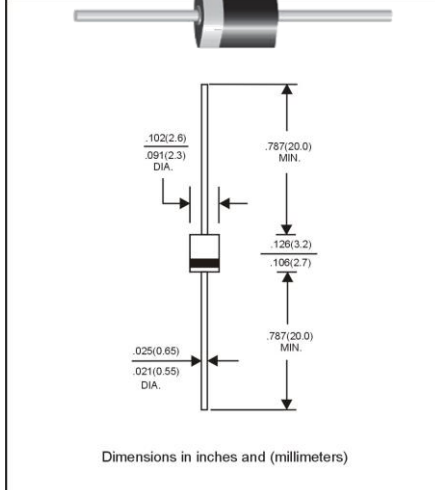
ITO-220AC



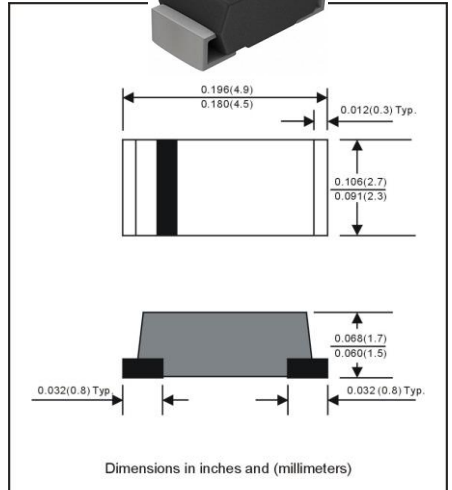
MELF / DO-213AB



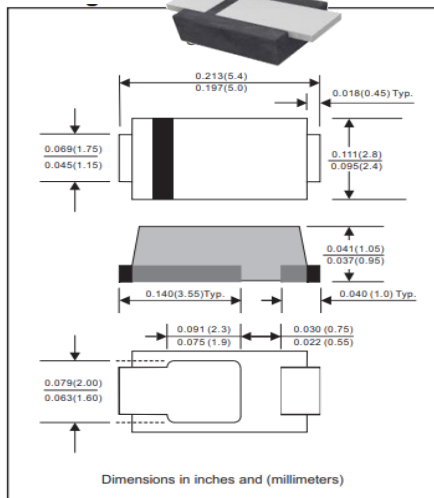
R-1



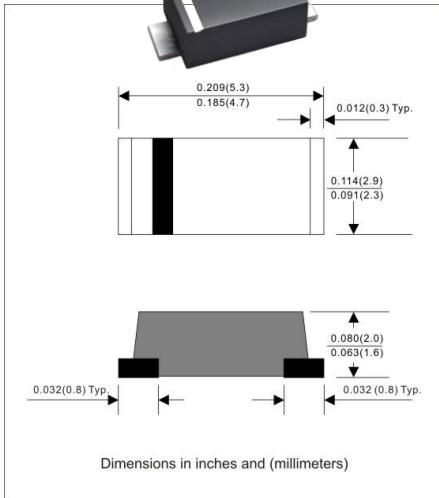
SMA



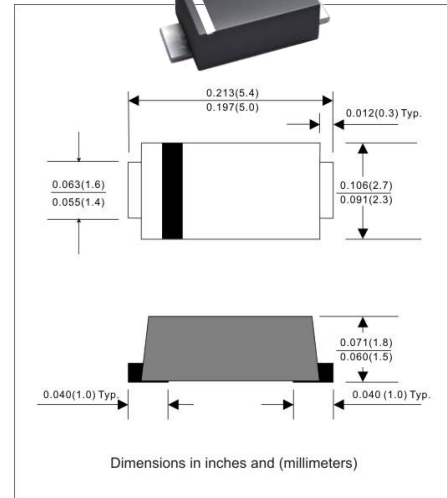
SMA-HST



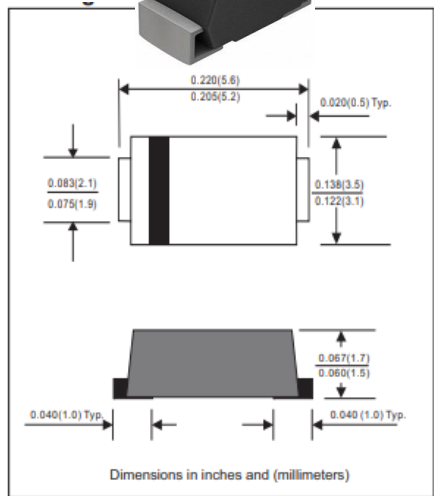
SMA-L



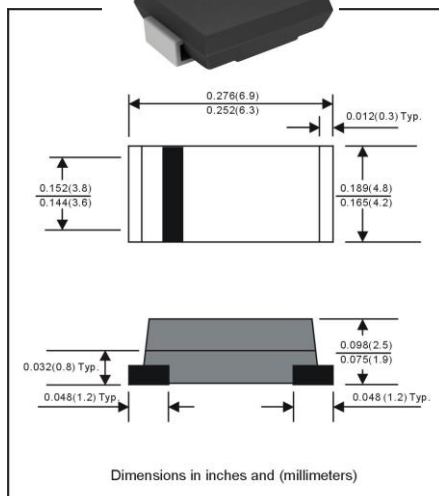
SMA-S



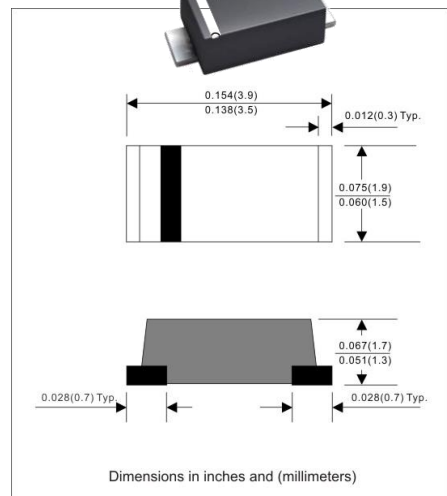
SMB-S



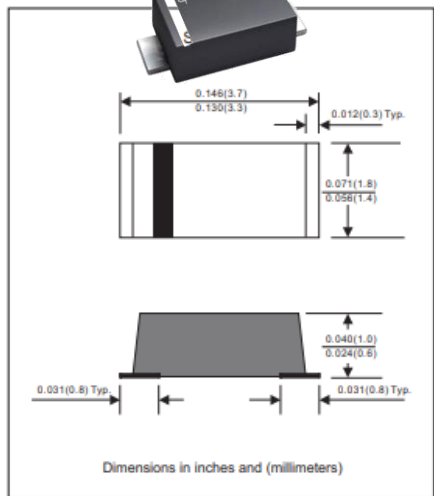
SMC



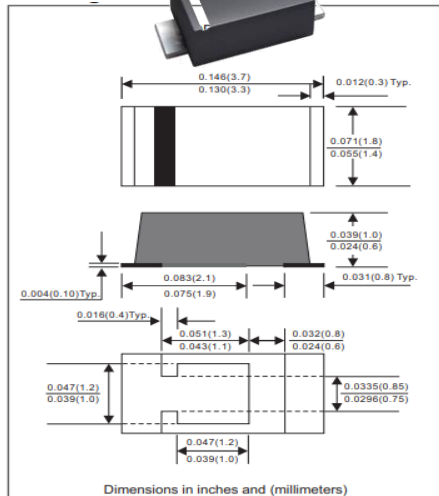
SOD-123



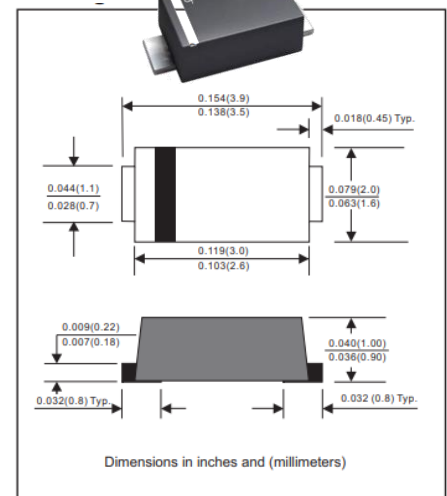
SOD-123H



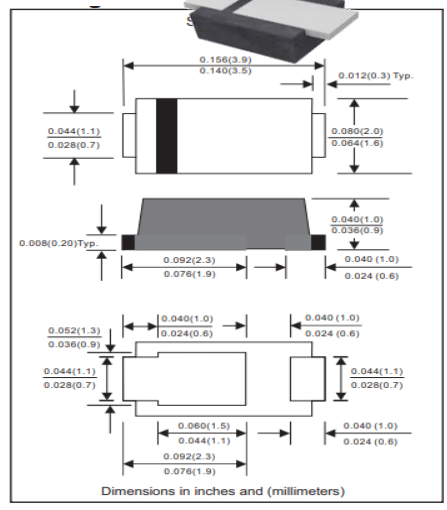
SOD-123HT



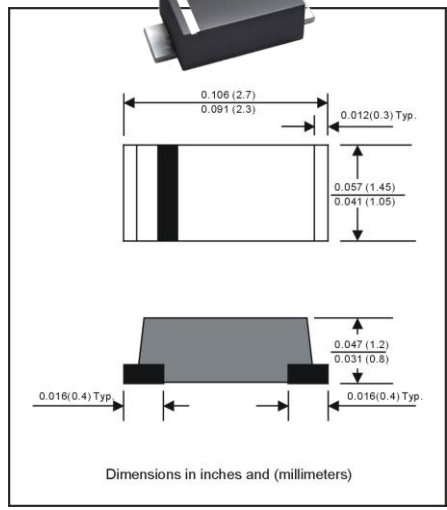
SOD-123S



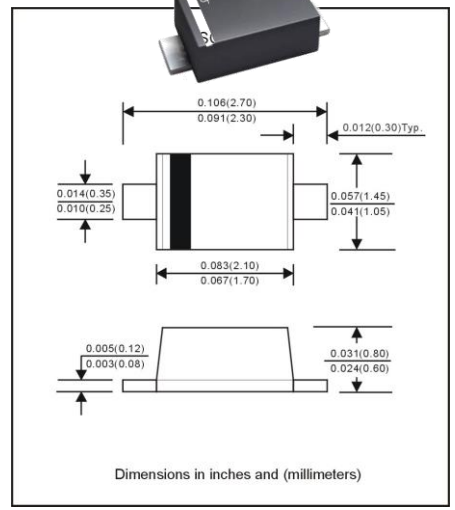
SOD-123ST



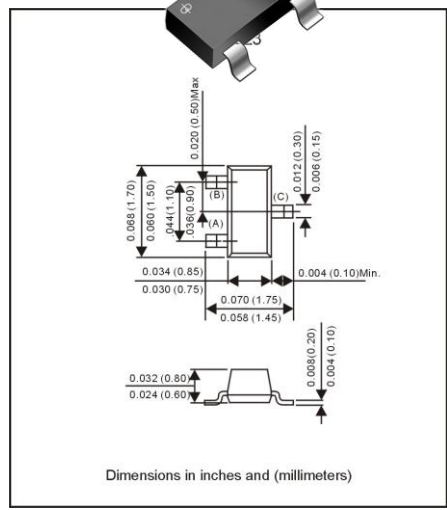
SOD-323



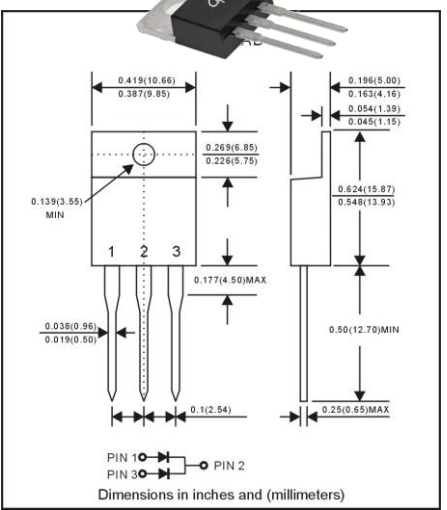
SOD323S



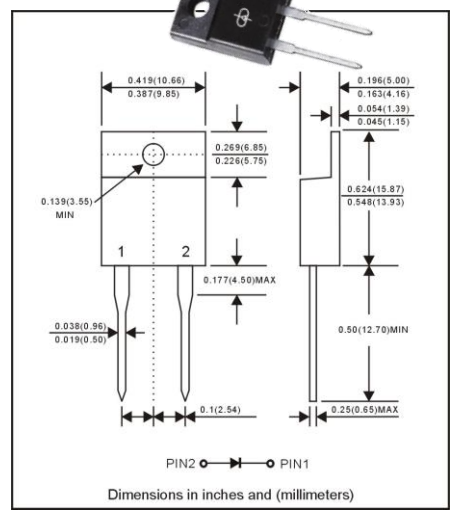
SOT-523



TO-220AB



TO-220AC



Alpinesemi™ Part Number	V _{RRM} (V)	I _{F(AV)} (A)	V _F (V)	I _R (mA)	PACKAGE
ALPSL24-N	15	2	0.45	0.1	SOD-323
ALP1N5817	20	1	0.45	0.5	DO-41
ALP1N5820	20	3	0.475	0.5	DO-201AD
ALPB5817W	20	1	0.45	0.01	SOD-123
ALPFM5817	20	1	0.45	0.5	SMA
ALPFM5817-HST	20	1	0.45	0.5	SMA-HST
ALPFM5817-L	20	1	0.45	0.5	SMA-L
ALPFM5817-S	20	1	0.45	0.5	SMA-S
ALPFM5820	20	3	0.475	0.5	SMC
ALPFM5820-A	20	3	0.475	0.5	SMA
ALPFM5820-AL	20	3	0.475	0.5	SMA-L
ALPKLFM120	20	1	0.5	0.05	SMA
ALPKLFM120-HST	20	1	0.5	0.05	SMA-HST
ALPKLFM120-M	20	1	0.5	0.05	SOD-123
ALPKLFM120-MH	20	1	0.5	0.05	SOD-123H
ALPKLFM120-MHT	20	1	0.5	0.05	SOD-123HT
ALPKLFM120-MS	20	1	0.5	0.05	SOD-123S
ALPKLFM120-MT	20	1	0.5	0.05	SOD-123T
ALPKLFM120-S	20	1	0.5	0.05	SMA-S
ALPS2005ELDH	20	20	0.65	0.1	SOD-923
ALPSGL34-20	20	1	0.5	0.5	Mini Melf (DO-213AA)
ALPSL12	20	1	0.38	1	SMA
ALPSL12-HST	20	1	0.38	1	SMA-HST
ALPSL12-L	20	1	0.38	1	SMA-L
ALPSL12-M	20	1	0.38	1	SOD-123
ALPSL12-MH	20	1	0.38	1	SOD-123H
ALPSL12-MHT	20	1	0.38	1	SOD-123HT
ALPSL12-MS	20	1	0.38	1	SOD-123S
ALPSL12-MT	20	1	0.38	1	SOD-123T
ALPSL12-S	20	1	0.38	1	SMA-S
ALPSL22	20	2	0.38	1	SMA
ALPSL22-HST	20	2	0.38	1	SMA-HST
ALPSL22-L	20	2	0.38	1	SMA-L
ALPSL22-M	20	2	0.38	1	SOD-123
ALPSL22-MH	20	2	0.38	1	SOD-123H
ALPSL22-MHT	20	2	0.38	1	SOD-123HT
ALPSL22-MS	20	2	0.38	1	SOD-123S
ALPSL22-MT	20	2	0.38	1	SOD-123T
ALPSL22-S	20	2	0.38	1	SMA-S
ALPSL32	20	3	0.38	1	SMC
ALPSL32-A	20	3	0.38	1	SMA
ALPSL32-AHST	20	3	0.38	1	SMA-HST
ALPSL32-AL	20	3	0.38	1	SMA-L
ALPSL32-AS	20	3	0.38	1	SMA-S
ALPSL32-BS	20	3	0.38	1	SMB-S

Alpinesemi™ Part Number	V _{RRM} (V)	I _{F(AV)} (A)	V _F (V)	I _R (mA)	PACKAGE
ALPSM120	20	1	0.5	0.5	MELF (DO-213AB)
ALPSM5817	20	1	0.45	0.5	MELF (DO-213AB)
ALP1N5818	30	1	0.55	0.5	DO-41
ALP1N5821	30	3	0.5	0.5	DO-201AD
ALPB5818W	30	1	0.55	0.01	SOD-123
ALPKLFM07540-U	30	0.75	0.55	0.01	603
ALPRB520S-30	30	0.2	0.6	0.001	SOD-523
ALPS3002EL	30	0.2	0.6	0.001	DFN1006
ALPS3005ELDH	30	0.5	0.65	0.5	SOD-923
ALPSM5818	30	1	0.5	0.5	MELF (DO-213AB)
ALP1N5819	40	1	0.6	0.5	DO-41
ALP1N5822	40	3	0.525	0.5	DO-201AD
ALP1S40	40	1	0.55	0.5	R-1
ALPB5819W	40	1	40	0.01	SOD-123
ALPFM1040-T3	40	10	0.55	0.5	SMC-T3
ALPFM140	40	1	0.5	0.5	SMA
ALPFM140-HST	40	1	0.5	0.5	SMA-HST
ALPFM140-L	40	1	0.5	0.5	SMA-L
ALPFM140-M	40	1	0.5	0.5	SOD-123
ALPFM140-MH	40	1	0.5	0.5	SOD-123H
ALPFM140-MHT	40	1	0.5	0.5	SOD-123HT
ALPFM140-MS	40	1	0.5	0.5	SOD-123S
ALPFM140-MT	40	1	0.5	0.2	SOD-123T
ALPFM140-N	40	1	0.55	0.5	SOD-323
ALPFM140-NS	40	1	0.55	0.5	SOD-323S
ALPFM140-S	40	1	0.5	0.5	SMA-S
ALPFM1L40-MS	40	1	0.45	0.5	SOD-123S
ALPFM1L40-NS	40	1	0.45	0.5	SOD-323S
ALPFM1L40-S	40	1	0.45	0.5	SMA-S
ALPFM1V40-N	40	1	0.4	0.5	SOD-323
ALPFM240	40	2	0.5	0.5	SMA
ALPFM240-BS	40	2	0.5	0.5	SMB-S
ALPFM240-HST	40	2	0.5	0.5	SMA-HST
ALPFM240-L	40	2	0.5	0.5	SMA-L
ALPFM240-M	40	2	0.5	0.5	SOD-123
ALPFM240-MH	40	2	0.5	0.5	SOD-123H
ALPFM240-MHT	40	2	0.5	0.2	SOD-123HT
ALPFM240-MS	40	2	0.5	0.5	SOD-123S
ALPFM240-MT	40	2	0.5	0.2	SOD-123T
ALPFM240-S	40	2	0.5	0.5	SMA-S
ALPFM2L40-MS	40	2	0.45	0.5	SOD-123S
ALPFM2L40-N	40	2	0.48	0.5	SOD-323
ALPFM2L40-S	40	2	0.45	0.5	SMA-S
ALPFM340	40	3	0.5	0.5	SMC
ALPFM340-A	40	3	0.5	0.5	SMA

Alpinesemi™ Part Number	V _{RRM} (V)	I _{F(AV)} (A)	V _F (V)	I _R (mA)	PACKAGE
ALPFM340-AHST	40	3	0.5	0.5	SMA-HST
ALPFM340-AL	40	3	0.5	0.5	SMA-L
ALPFM340-AS	40	3	0.5	0.5	SMA-S
ALPFM340-BS	40	3	0.5	0.5	SMB-S
ALPFM340-MHT	40	3	0.55	0.2	SOD-123HT
ALPFM340-MST	40	3	0.55	0.5	SOD-123ST
ALPFM340-MT	40	3	0.55	0.2	SOD-123T
ALPFM3L40-AHST	40	3	0.45	0.5	SMA-HST
ALPFM3L40-AS	40	3	0.45	0.5	SMA-S
ALPFM3L40-BS	40	3	0.45	0.5	SMB-S
ALPFM3L40-MHT	40	3	0.45	0.5	SOD-123HT
ALPFM540	40	5	0.55	0.5	SMC
ALPFM540-AHST	40	5	0.55	0.1	SMA-HST
ALPFM540-AS	40	5	0.55	0.5	SMA-S
ALPFM540-BS	40	5	0.55	0.5	SMB-S
ALPFM540-T3	40	5	0.55	0.5	SMC-T3
ALPFM5819	40	1	0.5	0.5	SMA
ALPFM5819-HST	40	1	0.5	0.5	SMA-HST
ALPFM5819-L	40	1	0.5	0.5	SMA-L
ALPFM5819-S	40	1	0.5	0.5	SMA-S
ALPFM5822	40	3	0.5	0.5	SMC
ALPFM5822-A	40	3	0.5	0.5	SMA
ALPFM5822-AL	40	3	0.5	0.5	SMA-L
ALPFM5L40-AHST	40	5	0.45	0.5	SMA-HST
ALPFM5L40-AS	40	5	0.45	0.5	SMA-S
ALPFM5L40-BS	40	5	0.45	0.5	SMB-S
ALPKLFM140	40	1	0.5	0.05	SMA
ALPKLFM140-HST	40	1	0.5	0.05	SMA-HST
ALPKLFM140-M	40	1	0.5	0.05	SOD-123
ALPKLFM140-MH	40	1	0.5	0.05	SOD-123H
ALPKLFM140-MHT	40	1	0.5	0.05	SOD-123HT
ALPKLFM140-MS	40	1	0.5	0.05	SOD-123S
ALPKLFM140-MT	40	1	0.5	0.05	SOD-123T
ALPKLFM140-S	40	1	0.5	0.05	SMA-S
ALPLFM140	40	1	0.45	0.2	SMA
ALPLFM140-HST	40	1	0.45	0.2	SMA-HST
ALPLFM140-M	40	1	0.45	0.2	SOD-123
ALPLFM140-MH	40	1	0.45	0.2	SOD-123H
ALPLFM140-MHT	40	1	0.45	0.2	SOD-123HT
ALPLFM140-MS	40	1	0.45	0.2	SOD-123S
ALPLFM140-MT	40	1	0.45	0.2	SOD-123T
ALPLFM140-S	40	1	0.45	0.2	SMA-S
ALPLFM240	40	2	0.45	0.2	SMA
ALPLFM240-BS	40	2	0.45	0.2	SMB-S
ALPLFM240-HST	40	2	0.45	0.2	SMA-HST

Alpinesemi™ Part Number	V _{RRM} (V)	I _{F(AV)} (A)	V _F (V)	I _R (mA)	PACKAGE
ALPLFM240-L	40	2	0.45	0.2	SMA-L
ALPLFM240-S	40	2	0.45	0.2	SMA-S
ALPLFM340-AS	40	3	0.45	0.2	SMA-S
ALPMBR1040	40	10	0.65	0.05	TO-220AC
ALPMBR1040CT	40	5	0.65	0.05	TO-220AB
ALPMBR1040FCT	40	5	0.65	0.05	ITO-220AB
ALPMBR1640CT	40	8	0.65	0.05	TO-220AB
ALPMBR1640FCT	40	8	0.65	0.05	ITO-220AB
ALPMBR2040CT	40	10	0.65	0.05	TO-220AB
ALPMBR2040FCT	40	10	0.65	0.05	ITO-220AB
ALPMBR3040CT	40	15	0.65	0.05	TO-220AB
ALPMBR3040FCT	40	15	0.65	0.05	ITO-220AB
ALPMBR4040CT	40	20	0.65	0.1	TO-220AB
ALPMBR4040FCT	40	20	0.65	0.1	ITO-220AB
ALPS4002ELD	40	0.2	0.52	0.09	SOD-923
ALPSB1040	40	10	0.55	0.5	TO-220AC
ALPSB1040CT	40	5	0.55	0.5	TO-220AB
ALPSB1040F	40	10	0.55	0.5	ITO-220AC
ALPSB1040FCT	40	5	0.55	0.5	ITO-220AB
ALPSB1640CT	40	8	0.55	0.5	TO-220AB
ALPSB1640FCT	40	8	0.55	0.5	ITO-220AB
ALPSB2040CT	40	10	0.55	0.5	TO-220AB
ALPSB2040FCT	40	10	0.55	0.5	ITO-220AB
ALPSB240	40	2	0.55	0.5	DO-15
ALPSB3040CT	40	15	0.55	0.5	TO-220AB
ALPSB3040FCT	40	15	0.55	0.5	ITO-220AB
ALPSB6040CT	40	30	0.55	0.5	TO-220AB
ALPSGL34-40	40	1	0.5	0.5	Mini Melf (DO-213AA)
ALPSL14	40	1	0.4	1	SMA
ALPSL14-HST	40	1	0.4	1	SMA-HST
ALPSL14-L	40	1	0.4	1	SMA-L
ALPSL14-M	40	1	0.4	1	SOD-123
ALPSL14-MH	40	1	0.4	1	SOD-123H
ALPSL14-MHT	40	1	0.4	1	SOD-123HT
ALPSL14-MS	40	1	0.4	1	SOD-123S
ALPSL14-MT	40	1	0.4	1	SOD-123T
ALPSL14-S	40	1	0.4	1	SMA-S
ALPSL24	40	2	0.4	1	SMA
ALPSL24-HST	40	2	0.4	1	SMA-HST
ALPSL24-L	40	2	0.4	1	SMA-L
ALPSL24-M	40	2	0.4	1	SOD-123
ALPSL24-MH	40	2	0.4	1	SOD-123H
ALPSL24-MHT	40	2	0.4	1	SOD-123HT
ALPSL24-MS	40	2	0.4	1	SOD-123S
ALPSL24-MT	40	2	0.4	1	SOD-123T

Alpinesemi™ Part Number	V _{RRM} (V)	I _{F(AV)} (A)	V _F (V)	I _R (mA)	PACKAGE
ALPSL24-S	40	2	0.4	1	SMA-S
ALPSL34	40	3	0.4	1	SMC
ALPSL34-A	40	3	0.4	1	SMA
ALPSL34-AHST	40	3	0.4	1	SMA-HST
ALPSL34-AL	40	3	0.4	1	SMA-L
ALPSL34-AS	40	3	0.4	1	SMA-S
ALPSL34-BS	40	3	0.4	1	SMB-S
ALPSM140	40	1	0.5	0.5	MELF (DO-213AB)
ALPSM5819	40	1	0.5	0.5	MELF (DO-213AB)
ALPSR140	40	1	0.55	0.5	DO-41
ALPSR240	40	2	0.55	0.5	DO-41
ALPSR340	40	3	0.55	0.5	DO-201AD
ALPSR540	40	5	0.55	0.5	DO-201AD
ALPSR840	40	8	0.55	0.5	DO-201AD
ALPFM1045-T3	45	10	0.55	0.5	SMC-T3
ALPFM10L45-T3	45	10	0.45	0.5	SMC-T3
ALPFM1L45-MS	45	1	0.45	0.5	SOD-123S
ALPFM1L45-NS	45	1	0.45	0.5	SOD-323S
ALPFM1L45-S	45	1	0.45	0.5	SMA-S
ALPFM2L45-MS	45	2	0.45	0.5	SOD-123S
ALPFM2L45-S	45	2	0.45	0.5	SMA-S
ALPFM3L45-AHST	45	3	0.45	0.5	SMA-HST
ALPFM3L45-AS	45	3	0.45	0.5	SMA-S
ALPFM3L45-BS	45	3	0.45	0.5	SMB-S
ALPFM3L45-MHT	45	3	0.45	0.5	SOD-123HT
ALPFM5L45-AHST	45	5	0.45	0.5	SMA-HST
ALPFM5L45-AS	45	5	0.45	0.5	SMA-S
ALPFM5L45-BS	45	5	0.45	0.5	SMB-S
ALPMBR1045	45	10	0.65	0.05	TO-220AC
ALPMBR1045CT	45	5	0.65	0.05	TO-220AB
ALPMBR1045FCT	45	5	0.65	0.05	ITO-220AB
ALPMBR10L45CT	45	5	0.5	0.5	TO-220AB
ALPMBR10L45FCT	45	5	0.5	0.5	ITO-220AB
ALPMBR10U45CT	45	5	0.45	0.5	TO-220AB
ALPMBR10U45FCT	45	5	0.45	0.5	ITO-220AB
ALPMBR1645CT	45	8	0.65	0.05	TO-220AB
ALPMBR1645FCT	45	8	0.65	0.05	ITO-220AB
ALPMBR2045CT	45	10	0.65	0.05	TO-220AB
ALPMBR2045FCT	45	10	0.65	0.05	ITO-220AB
ALPMBR20L45CT	45	10	0.5	0.5	TO-220AB
ALPMBR20L45FCT	45	10	0.5	0.5	ITO-220AB
ALPMBR20U45CT	45	10	0.45	0.5	TO-220AB
ALPMBR20U45FCT	45	10	0.45	0.5	ITO-220AB
ALPMBR3045CT	45	15	0.65	0.05	TO-220AB
ALPMBR3045FCT	45	15	0.65	0.05	ITO-220AB

Alpinesemi™ Part Number	V _{RRM} (V)	I _{F(AV)} (A)	V _F (V)	I _R (mA)	PACKAGE
ALPMBR30L45CT	45	15	0.52	0.2	TO-220AB
ALPMBR30L45FCT	45	15	0.52	0.2	ITO-220AB
ALPMBR30U45CT	45	15	0.5	0.5	TO-220AB
ALPMBR30U45FCT	45	15	0.5	0.5	ITO-220AB
ALPMBR4045CT	45	20	0.65	0.1	TO-220AB
ALPMBR4045FCT	45	20	0.65	0.1	ITO-220AB
ALPMBR40L45CT	45	20	0.52	0.5	TO-220AB
ALPMBR40L45FCT	45	20	0.52	0.5	ITO-220AB
ALPMBR60L45CT	45	30	0.58	0.5	TO-220AB
ALPSB1045	45	10	0.55	0.5	TO-220AC
ALPSB1045CT	45	5	0.55	0.5	TO-220AB
ALPSB1045F	45	10	0.55	0.5	ITO-220AC
ALPSB1045FCT	45	5	0.55	0.5	ITO-220AB
ALPSB1645CT	45	8	0.55	0.5	TO-220AB
ALPSB1645FCT	45	8	0.55	0.5	ITO-220AB
ALPSB2045CT	45	10	0.55	0.5	TO-220AB
ALPSB2045FCT	45	10	0.55	0.5	ITO-220AB
ALPSB3045CT	45	15	0.55	0.5	TO-220AB
ALPSB3045FCT	45	15	0.55	0.5	ITO-220AB
ALPSB6045CT	45	30	0.55	0.5	TO-220AB
ALPSR545	45	5	0.55	0.5	DO-201AD
ALP1S60	60	1	0.7	0.5	R-1
ALPFM1060-T3	60	10	0.7	0.5	SMC-T3
ALPFM160	60	1	0.7	0.5	SMA
ALPFM160-HST	60	1	0.7	0.5	SMA-HST
ALPFM160-L	60	1	0.7	0.5	SMA-L
ALPFM160-M	60	1	0.7	0.5	SOD-123
ALPFM160-MH	60	1	0.7	0.5	SOD-123H
ALPFM160-MHT	60	1	0.7	0.5	SOD-123HT
ALPFM160-MS	60	1	0.7	0.5	SOD-123S
ALPFM160-MT	60	1	0.7	0.2	SOD-123T
ALPFM160-N	60	1	0.7	0.5	SOD-323
ALPFM160-S	60	1	0.7	0.5	SMA-S
ALPFM1L60-MS	60	1	0.55	0.5	SOD-123S
ALPFM1L60-NS	60	1	0.55	0.5	SOD-323S
ALPFM1L60-S	60	1	0.55	0.5	SMA-S
ALPFM260	60	2	0.7	0.5	SMA
ALPFM260-BS	60	2	0.7	0.5	SMB-S
ALPFM260-HST	60	2	0.7	0.5	SMA-HST
ALPFM260-L	60	2	0.7	0.5	SMA-L
ALPFM260-M	60	2	0.7	0.5	SOD-123
ALPFM260-MH	60	2	0.7	0.5	SOD-123H
ALPFM260-MHT	60	2	0.7	0.2	SOD-123HT
ALPFM260-MS	60	2	0.7	0.5	SOD-123S
ALPFM260-MT	60	2	0.7	0.2	SOD-123T

Alpinesemi™ Part Number	V _{RRM} (V)	I _{F(AV)} (A)	V _F (V)	I _R (mA)	PACKAGE
ALPFM260-S	60	2	0.7	0.5	SMA-S
ALPFM2L60-MS	60	2	0.55	0.5	SOD-123S
ALPFM2L60-S	60	2	0.55	0.5	SMA-S
ALPFM360	60	3	0.7	0.5	SMC
ALPFM360-A	60	3	0.7	0.5	SMA
ALPFM360-AHST	60	3	0.7	0.5	SMA-HST
ALPFM360-AL	60	3	0.7	0.5	SMA-L
ALPFM360-AS	60	3	0.7	0.5	SMA-S
ALPFM360-BS	60	3	0.7	0.5	SMB-S
ALPFM360-MHT	60	3	0.7	0.2	SOD-123HT
ALPFM360-MST	60	3	0.7	0.5	SOD-123ST
ALPFM360-MT	60	3	0.7	0.2	SOD-123T
ALPFM3L60-AHST	60	3	0.55	0.5	SMA-HST
ALPFM3L60-AS	60	3	0.55	0.5	SMA-S
ALPFM3L60-BS	60	3	0.55	0.5	SMB-S
ALPFM3L60-MHT	60	3	0.55	0.5	SOD-123HT
ALPFM560	60	5	0.7	0.5	SMC
ALPFM560-AHST	60	5	0.7	0.1	SMA-HST
ALPFM560-AS	60	5	0.7	0.5	SMA-S
ALPFM560-BS	60	5	0.7	0.5	SMB-S
ALPFM560-T3	60	5	0.7	0.5	SMC-T3
ALPFM5L60-AHST	60	5	0.55	0.5	SMA-HST
ALPFM5L60-AS	60	5	0.55	0.5	SMA-S
ALPFM5L60-BS	60	5	0.55	0.5	SMB-S
ALPMBR1060	60	10	0.75	0.05	TO-220AC
ALPMBR1060CT	60	5	0.75	0.05	TO-220AB
ALPMBR1060FCT	60	5	0.75	0.05	ITO-220AB
ALPMBR10L60CT	60	5	0.55	0.3	TO-220AB
ALPMBR10L60FCT	60	5	0.55	0.3	ITO-220AB
ALPMBR10U60CT	60	5	0.5	0.1	TO-220AB
ALPMBR10U60FCT	60	5	0.5	0.1	ITO-220AB
ALPMBR1660CT	60	8	0.75	0.05	TO-220AB
ALPMBR1660FCT	60	8	0.75	0.05	ITO-220AB
ALPMBR2060CT	60	10	0.75	0.05	TO-220AB
ALPMBR2060FCT	60	10	0.75	0.05	ITO-220AB
ALPMBR20L60CT	60	10	0.55	0.3	TO-220AB
ALPMBR20L60FCT	60	10	0.55	0.3	ITO-220AB
ALPMBR3060CT	60	15	0.75	0.05	TO-220AB
ALPMBR3060FCT	60	15	0.75	0.05	ITO-220AB
ALPMBR30L60CT	60	15	0.55	0.1	TO-220AB
ALPMBR30L60FCT	60	15	0.55	0.1	ITO-220AB
ALPMBR30U60CT	60	15	0.52	0.5	TO-220AB
ALPMBR30U60FCT	60	15	0.52	0.5	ITO-220AB
ALPMBR4060CT	60	20	0.75	0.1	TO-220AB
ALPMBR4060FCT	60	20	0.75	0.1	ITO-220AB

Alpinesemi™ Part Number	V _{RRM} (V)	I _{F(AV)} (A)	V _F (V)	I _R (mA)	PACKAGE
ALPMBR40L60CT	60	20	0.55	0.25	TO-220AB
ALPMBR40L60FCT	60	20	0.55	0.25	ITO-220AB
ALPMBR60L60CT	60	30	0.65	0.5	TO-220AB
ALPMBR60L60FCT	60	30	0.65	0.5	ITO-220AB
ALPSB1060	60	10	0.75	0.5	TO-220AC
ALPSB1060CT	60	5	0.75	0.5	TO-220AB
ALPSB1060F	60	10	0.75	0.5	ITO-220AC
ALPSB1060FCT	60	5	0.75	0.5	ITO-220AB
ALPSB1660CT	60	8	0.75	0.5	TO-220AB
ALPSB1660FCT	60	8	0.75	0.5	ITO-220AB
ALPSB2060CT	60	10	0.75	0.5	TO-220AB
ALPSB2060FCT	60	10	0.75	0.5	ITO-220AB
ALPSB260	60	2	0.7	0.5	DO-15
ALPSB3060CT	60	15	0.75	0.5	TO-220AB
ALPSB3060FCT	60	15	0.75	0.5	ITO-220AB
ALPSB6060CT	60	30	0.75	0.5	TO-220AB
ALPSGL34-60	60	1	0.7	0.5	Mini Melf (DO-213AA)
ALPSM160	60	1	0.7	0.5	MELF (DO-213AB)
ALPSR160	60	1	0.7	0.5	DO-41
ALPSR260	60	2	0.7	0.5	DO-41
ALPSR360	60	3	0.7	0.5	DO-201AD
ALPSR560	60	5	0.7	0.5	DO-201AD
ALPSR860	60	8	0.7	0.5	DO-201AD
ALPFM10100-T3	100	10	0.85	0.5	SMC-T3
ALPFM1100	100	1	0.85	0.5	SMA
ALPFM1100-HST	100	1	0.85	0.5	SMA-HST
ALPFM1100-L	100	1	0.85	0.5	SMA-L
ALPFM1100-M	100	1	0.85	0.5	SOD-123
ALPFM1100-MH	100	1	0.85	0.5	SOD-123H
ALPFM1100-MHT	100	1	0.85	0.5	SOD-123HT
ALPFM1100-MS	100	1	0.85	0.5	SOD-123S
ALPFM1100-MT	100	1	0.85	0.2	SOD-123T
ALPFM1100-N	100	1	0.85	0.5	SOD-323
ALPFM1100-S	100	1	0.85	0.5	SMA-S
ALPFM2100	100	2	0.85	0.5	SMA
ALPFM2100-BS	100	2	0.85	0.5	SMB-S
ALPFM2100-HST	100	2	0.85	0.5	SMA-HST
ALPFM2100-L	100	2	0.85	0.5	SMA-L
ALPFM2100-M	100	2	0.85	0.5	SOD-123
ALPFM2100-MH	100	2	0.85	0.5	SOD-123H
ALPFM2100-MHT	100	2	0.85	0.2	SOD-123HT
ALPFM2100-MS	100	2	0.85	0.5	SOD-123S
ALPFM2100-MT	100	2	0.85	0.2	SOD-123T
ALPFM2100-N	100	2	0.9	0.01	SOD-323
ALPFM2100-S	100	2	0.85	0.5	SMA-S

Alpinesemi™ Part Number	V _{RRM} (V)	I _{F(AV)} (A)	V _F (V)	I _R (mA)	PACKAGE
ALPFM2L100-MS	100	2	0.75	0.5	SOD-123S
ALPFM2L100-S	100	2	0.75	0.5	SMA-S
ALPFM3100	100	3	0.85	0.5	SMC
ALPFM3100-A	100	3	0.85	0.5	SMA
ALPFM3100-AHST	100	3	0.85	0.5	SMA-HST
ALPFM3100-AL	100	3	0.85	0.5	SMA-L
ALPFM3100-AS	100	3	0.85	0.5	SMA-S
ALPFM3100-BS	100	3	0.85	0.5	SMB-S
ALPFM3100-MHT	100	3	0.85	0.2	SOD-123HT
ALPFM3100-MT	100	3	0.85	0.2	SOD-123T
ALPFM3L100-AHST	100	3	0.75	0.5	SMA-HST
ALPFM3L100-AS	100	3	0.75	0.5	SMA-S
ALPFM3L100-BS	100	3	0.75	0.5	SMB-S
ALPFM3L100-MHT	100	3	0.8	0.5	SOD-123HT
ALPFM5100	100	5	0.85	0.5	SMC
ALPFM5100-AHST	100	5	0.85	0.05	SMA-HST
ALPFM5100-AS	100	5	0.85	0.5	SMA-S
ALPFM5100-BS	100	5	0.85	0.5	SMB-S
ALPFM5100-T3	100	5	0.85	0.5	SMC-T3
ALPFM5L100-AHST	100	5	0.75	0.5	SMA-HST
ALPFM5L100-AS	100	5	0.75	0.5	SMA-S
ALPFM5L100-BS	100	5	0.75	0.5	SMB-S
ALPMBR10100	100	10	0.85	0.01	TO-220AC
ALPMBR10100CT	100	5	0.85	0.01	TO-220AB
ALPMBR10100FCT	100	5	0.85	0.01	ITO-220AB
ALPMBR10L100CT	100	5	0.7	0.02	TO-220AB
ALPMBR10L100FCT	100	5	0.7	0.02	ITO-220AB
ALPMBR10U100CT	100	5	0.6	0.05	TO-220AB
ALPMBR10U100FCT	100	5	0.6	0.05	ITO-220AB
ALPMBR16100CT	100	8	0.85	0.01	TO-220AB
ALPMBR16100FCT	100	8	0.85	0.01	ITO-220AB
ALPMBR20100CT	100	10	0.85	0.01	TO-220AB
ALPMBR20100FCT	100	10	0.85	0.01	ITO-220AB
ALPMBR20L100CT	100	10	0.75	0.1	TO-220AB
ALPMBR20L100FCT	100	10	0.75	0.1	ITO-220AB
ALPMBR20U100CT	100	10	0.68	0.1	TO-220AB
ALPMBR20U100FCT	100	10	0.68	0.1	ITO-220AB
ALPMBR30100CT	100	15	0.85	0.01	TO-220AB
ALPMBR30100FCT	100	15	0.85	0.01	ITO-220AB
ALPMBR30L100CT	100	15	0.78	0.05	TO-220AB
ALPMBR30L100FCT	100	15	0.78	0.05	ITO-220AB
ALPMBR30U100CT	100	15	0.7	0.1	TO-220AB
ALPMBR30U100FCT	100	15	0.7	0.1	ITO-220AB
ALPMBR40100CT	100	20	0.85	0.01	TO-220AB
ALPMBR40100FCT	100	20	0.85	0.01	ITO-220AB

Alpinesemi™ Part Number	V _{RRM} (V)	I _{F(AV)} (A)	V _F (V)	I _R (mA)	PACKAGE
ALPMBR40L100CT	100	20	0.75	0.2	TO-220AB
ALPMBR40L100FCT	100	20	0.75	0.2	ITO-220AB
ALPMBR40U100CT	100	20	0.68	0.08	TO-220AB
ALPSB10100	100	10	0.85	0.5	TO-220AC
ALPSB10100CT	100	5	0.85	0.5	TO-220AB
ALPSB10100F	100	10	0.85	0.5	ITO-220AC
ALPSB10100FCT	100	5	0.85	0.5	ITO-220AB
ALPSB16100CT	100	8	0.85	0.5	TO-220AB
ALPSB16100FCT	100	8	0.85	0.5	ITO-220AB
ALPSB20100CT	100	10	0.85	0.5	TO-220AB
ALPSB20100FCT	100	10	0.85	0.5	ITO-220AB
ALPSB2100	100	2	0.85	0.5	DO-15
ALPSB30100CT	100	15	0.85	0.5	TO-220AB
ALPSB30100FCT	100	15	0.85	0.5	ITO-220AB
ALPSR1100	100	1	0.85	0.5	DO-41
ALPSR2100	100	2	0.85	0.5	DO-41
ALPSR3100	100	3	0.85	0.5	DO-201AD
ALPSR5100	100	5	0.85	0.5	DO-201AD
ALPSR8100	100	8	0.85	0.5	DO-201AD
ALPMBR10L120CT	120	5	0.82	0.05	TO-220AB
ALPMBR10L120FCT	120	5	0.82	0.05	ITO-220AB
ALPMBR20L120CT	120	10	0.85	0.02	TO-220AB
ALPMBR20L120FCT	120	10	0.85	0.02	ITO-220AB
ALPMBR30L120CT	120	15	0.88	0.02	TO-220AB
ALPMBR30L120FCT	120	15	0.88	0.02	ITO-220AB
ALPMBR30U120CT	120	15	0.8	0.1	TO-220AB
ALPMBR30U120FCT	120	15	0.8	0.1	ITO-220AB
ALPMBR40U120CT	120	20	0.85	0.05	TO-220AB
ALPFM10150-T3	150	10	0.9	0.5	SMC-T3
ALPFM1150	150	1	0.9	0.5	SMA
ALPFM1150-HST	150	1	0.9	0.5	SMA-HST
ALPFM1150-L	150	1	0.9	0.5	SMA-L
ALPFM1150-M	150	1	0.9	0.5	SOD-123
ALPFM1150-MH	150	1	0.9	0.5	SOD-123H
ALPFM1150-MHT	150	1	0.9	0.5	SOD-123HT
ALPFM1150-MS	150	1	0.9	0.5	SOD-123S
ALPFM1150-MT	150	1	0.9	0.2	SOD-123T
ALPFM1150-N	150	1	0.9	0.01	SOD-323
ALPFM1150-S	150	1	0.9	0.5	SMA-S
ALPFM2150	150	2	0.9	0.5	SMA
ALPFM2150-BS	150	2	0.9	0.5	SMB-S
ALPFM2150-HST	150	2	0.9	0.5	SMA-HST
ALPFM2150-L	150	2	0.9	0.5	SMA-L
ALPFM2150-M	150	2	0.9	0.5	SOD-123
ALPFM2150-MH	150	2	0.9	0.5	SOD-123H
ALPFM2150-MHT	150	2	0.9	0.2	SOD-123HT
ALPFM2150-MS	150	2	0.9	0.5	SOD-123S

Alpinesemi™ Part Number	V _{RRM} (V)	I _{F(AV)} (A)	V _F (V)	I _R (mA)	PACKAGE
ALPFM2150-MT	150	2	0.9	0.2	SOD-123T
ALPFM2150-S	150	2	0.9	0.5	SMA-S
ALPFM3150	150	3	0.9	0.5	SMC
ALPFM3150-A	150	3	0.9	0.5	SMA
ALPFM3150-AHST	150	3	0.9	0.5	SMA-HST
ALPFM3150-AL	150	3	0.9	0.5	SMA-L
ALPFM3150-AS	150	3	0.9	0.5	SMA-S
ALPFM3150-BS	150	3	0.9	0.5	SMB-S
ALPFM5150	150	5	0.9	0.5	SMC
ALPFM5150-AHST	150	5	0.9	0.01	SMA-HST
ALPFM5150-AS	150	5	0.9	0.5	SMA-S
ALPFM5150-BS	150	5	0.9	0.5	SMB-S
ALPFM5150-T3	150	5	0.9	0.5	SMC-T3
ALPMBR10150	150	10	0.92	0.01	TO-220AC
ALPMBR10150CT	150	5	0.92	0.01	TO-220AB
ALPMBR10150FCT	150	5	0.92	0.01	ITO-220AB
ALPMBR10L150CT	150	5	0.82	0.01	TO-220AB
ALPMBR10L150FCT	150	5	0.82	0.01	ITO-220AB
ALPMBR10U150CT	150	5	0.8	0.03	TO-220AB
ALPMBR10U150FCT	150	5	0.8	0.03	ITO-220AB
ALPMBR16150CT	150	8	0.92	0.01	TO-220AB
ALPMBR16150FCT	150	8	0.92	0.01	ITO-220AB
ALPMBR20150CT	150	10	0.92	0.01	TO-220AB
ALPMBR20150FCT	150	10	0.92	0.01	ITO-220AB
ALPMBR20L150CT	150	10	0.85	0.01	TO-220AB
ALPMBR20L150FCT	150	10	0.85	0.01	ITO-220AB
ALPMBR20U150CT	150	10	0.8	0.01	TO-220AB
ALPMBR20U150FCT	150	10	0.8	0.01	ITO-220AB
ALPMBR30150CT	150	15	0.95	0.01	TO-220AB
ALPMBR30150FCT	150	15	0.95	0.01	ITO-220AB
ALPMBR30L150CT	150	15	0.85	0.01	TO-220AB
ALPMBR30L150FCT	150	15	0.85	0.01	ITO-220AB
ALPMBR40150CT	150	20	0.95	0.01	TO-220AB
ALPMBR40150FCT	150	20	0.95	0.01	ITO-220AB
ALPMBR40L150CT	150	20	1	0.05	TO-220AB
ALPMBR40L150FCT	150	20	1	0.05	ITO-220AB
ALPMBR40U150CT	150	20	0.9	0.05	TO-220AB
ALPMBR60L150CT	150	30	1.15	0.05	TO-220AB
ALPSB10150	150	10	0.9	0.5	TO-220AC
ALPSB10150CT	150	5	0.9	0.5	TO-220AB
ALPSB10150F	150	10	0.9	0.5	ITO-220AC
ALPSB10150FCT	150	5	0.9	0.5	ITO-220AB
ALPSB16150CT	150	8	0.9	0.5	TO-220AB
ALPSB16150FCT	150	8	0.9	0.5	ITO-220AB
ALPSB20150CT	150	10	0.9	0.5	TO-220AB
ALPSB20150FCT	150	10	0.9	0.5	ITO-220AB

Alpinesemi™ Part Number	V _{RRM} (V)	I _{F(AV)} (A)	V _F (V)	I _R (mA)	PACKAGE
ALPSB2150	150	2	0.9	0.5	DO-15
ALPSB30150CT	150	15	0.9	0.5	TO-220AB
ALPSB30150FCT	150	15	0.9	0.5	ITO-220AB
ALPSR1150	150	1	0.9	0.5	DO-41
ALPSR3150	150	3	0.9	0.5	DO-201AD
ALPSR5150	150	5	0.9	0.1	DO-201AD
ALPSR8150	150	8	0.9	0.5	DO-201AD
ALPFM10200-T3	200	10	0.92	0.5	SMC-T3
ALPFM1200	200	1	0.92	0.5	SMA
ALPFM1200-HST	200	1	0.92	0.5	SMA-HST
ALPFM1200-L	200	1	0.92	0.5	SMA-L
ALPFM1200-M	200	1	0.92	0.5	SOD-123
ALPFM1200-MH	200	1	0.92	0.5	SOD-123H
ALPFM1200-MHT	200	1	0.92	0.5	SOD-123HT
ALPFM1200-MS	200	1	0.92	0.5	SOD-123S
ALPFM1200-MT	200	1	0.92	0.2	SOD-123T
ALPFM1200-N	200	1	0.9	0.01	SOD-323
ALPFM1200-S	200	1	0.92	0.5	SMA-S
ALPFM2200	200	2	0.92	0.5	SMA
ALPFM2200-BS	200	2	0.92	0.5	SMB-S
ALPFM2200-HST	200	2	0.92	0.5	SMA-HST
ALPFM2200-L	200	2	0.92	0.5	SMA-L
ALPFM2200-M	200	2	0.92	0.5	SOD-123
ALPFM2200-MH	200	2	0.92	0.5	SOD-123H
ALPFM2200-MHT	200	2	0.92	0.2	SOD-123HT
ALPFM2200-MS	200	2	0.92	0.5	SOD-123S
ALPFM2200-MT	200	2	0.92	0.2	SOD-123T
ALPFM2200-S	200	2	0.92	0.5	SMA-S
ALPFM3200	200	3	0.92	0.5	SMC
ALPFM3200-A	200	3	0.92	0.5	SMA
ALPFM3200-AHST	200	3	0.92	0.5	SMA-HST
ALPFM3200-AL	200	3	0.92	0.5	SMA-L
ALPFM3200-AS	200	3	0.92	0.5	SMA-S
ALPFM3200-BS	200	3	0.92	0.5	SMB-S
ALPFM5200	200	5	0.92	0.5	SMC
ALPFM5200-AHST	200	5	0.92	0.01	SMA-HST
ALPFM5200-AS	200	5	0.92	0.5	SMA-S
ALPFM5200-BS	200	5	0.92	0.5	SMB-S
ALPFM5200-T3	200	5	0.92	0.5	SMC-T3
ALPMBR10200	200	10	0.92	0.01	TO-220AC
ALPMBR10200CT	200	5	0.92	0.01	TO-220AB
ALPMBR10200FCT	200	5	0.92	0.01	ITO-220AB
ALPMBR10L200CT	200	5	0.85	0.01	TO-220AB
ALPMBR10L200FCT	200	5	0.85	0.01	ITO-220AB
ALPMBR10U200CT	200	5	0.81	0.01	TO-220AB
ALPMBR10U200FCT	200	5	0.81	0.01	ITO-220AB

Alpinesemi™ Part Number	V _{RRM} (V)	I _{F(AV)} (A)	V _F (V)	I _R (mA)	PACKAGE
ALPMBR16200CT	200	8	0.92	0.01	TO-220AB
ALPMBR16200FCT	200	8	0.92	0.01	ITO-220AB
ALPMBR20200CT	200	10	0.92	0.01	TO-220AB
ALPMBR20200FCT	200	10	0.92	0.01	ITO-220AB
ALPMBR20L200CT	200	10	0.89	0.01	TO-220AB
ALPMBR20L200FCT	200	10	0.89	0.01	ITO-220AB
ALPMBR20U200CT	200	10	0.85	0.01	TO-220AB
ALPMBR20U200FCT	200	10	0.85	0.01	ITO-220AB
ALPMBR30200CT	200	15	0.95	0.01	TO-220AB
ALPMBR30200FCT	200	15	0.95	0.01	ITO-220AB
ALPMBR30L200CT	200	15	0.92	0.01	TO-220AB
ALPMBR30L200FCT	200	15	0.92	0.01	ITO-220AB
ALPMBR30U200CT	200	15	0.9	0.05	TO-220AB
ALPMBR40200CT	200	20	0.95	0.01	TO-220AB
ALPMBR40200FCT	200	20	0.95	0.01	ITO-220AB
ALPSB10200	200	10	0.92	0.5	TO-220AC
ALPSB10200CT	200	5	0.92	0.5	TO-220AB
ALPSB10200F	200	10	0.92	0.5	ITO-220AC
ALPSB10200FCT	200	5	0.92	0.5	ITO-220AB
ALPSB16200CT	200	8	0.92	0.5	TO-220AB
ALPSB16200FCT	200	8	0.92	0.5	ITO-220AB
ALPSB20200CT	200	10	0.92	0.5	TO-220AB
ALPSB20200FCT	200	10	0.92	0.5	ITO-220AB
ALPSB2200	200	2	0.95	0.5	DO-15
ALPSB30200CT	200	15	0.92	0.5	TO-220AB
ALPSB30200FCT	200	15	0.92	0.5	ITO-220AB
ALPSR1200	200	1	0.95	0.5	DO-41
ALPSR3200	200	3	0.95	0.5	DO-201AD
ALPSR5200	200	5	0.92	0.1	DO-201AD
ALPSR8200	200	8	0.92	0.5	DO-201AD
ALPMBR10300CT	300	5	1.05	0.005	TO-220AB
ALPMBR10300FCT	300	5	1.05	0.005	ITO-220AB
ALPMBR10L300CT	300	5	0.98	0.005	TO-220AB
ALPMBR10L300FCT	300	5	0.98	0.005	ITO-220AB
ALPMBR20300CT	300	10	1.05	0.01	TO-220AB
ALPMBR20300FCT	300	10	1.05	0.01	ITO-220AB
ALPMBR20L300CT	300	10	0.98	0.005	TO-220AB
ALPMBR20L300FCT	300	10	0.98	0.005	ITO-220AB
ALPMBR30300CT	300	15	1.05	0.005	TO-220AB
ALPMBR30300FCT	300	15	1.05	0.005	ITO-220AB
ALPMBR30L300CT	300	15	0.98	0.005	TO-220AB
ALPMBR30L300FCT	300	15	0.98	0.005	ITO-220AB
ALPMBR40300CT	300	20	1.05	0.005	TO-220AB
ALPMBR40300FCT	300	20	1.05	0.005	ITO-220AB
ALPMBR40L300CT	300	20	0.98	0.005	TO-220AB
ALPMBR40L300FCT	300	20	0.98	0.005	ITO-220AB

DISCLAIMER

The product information and the selection guide facilitates the selection of the ALPINESEMI™'s Semiconductor Device(s) best suited for application in your product(s) as per your requirement. It is recommended that you completely review the Data sheet(s) so as to confirm that the Device(s) meets functionality parameters for your application. The information furnished on the Data Sheet and the ALPINESEMI™'s Web Site is believed to be accurate and reliable at the time of preparation of this document. ALPINESEMI™ however, does not assume any inaccuracies that may arise when the components are mounted and removed. Furthermore, ALPINESEMI™ does not assume liability whatsoever, arising out of the application or the use of any of ALPINESEMI™'s product(s). Neither, does it convey any license under its patent rights nor the rights of others. These products are not guaranteed for use in life saving/support appliances or systems. ALPINESEMI™'s customers using these products (either as individual Semiconductor Devices or incorporated in their end products), in any life saving/support appliances or systems or applications do so at their own risk and ALPINESEMI™ will not be responsible in any way(s) for any damage(s) resulting from such use.

Please check the website www.alpinesemi.com for continues updates and revision of datasheets.

DESIGN CHANGES: ALPINESEMI™ strives for continuous improvement and reserves the right to change the specifications of its products without prior notice. ALPINESEMI™ reserves the right to discontinue product lines without prior notice. Any product selection is a recommendation based on best understanding of such product(s) by our engineers. However, buyers are advised to rely on their own judgment for such selection of the products.

ALPINESEMI™ makes no warranty, representation or guarantee regarding the suitability of its products for any particular applications. Neither does ALPINESEMI™ assume any liability arising out of the applications nor the use of such products. ALPINESEMI™ specifically disclaims all liabilities either consequential or incidental.

All rights of the product and datasheet are reserved to ALPINESEMI™.

All logos and information provided in the datasheets are for reference only. Any registered and/or trademark/logos belonging to respective companies be the property of those companies. ALPINESEMI™ extends the courtesy to them, if any of the information found in its datasheet.

Component Disposal Instructions

1. ALPINESEMI™ Semiconductor Devices are RoHS compliant and hence customers are requested to dispose as per the prevailing Environmental Legislation put forth in their specific country.
2. In Europe, please dispose as per EU Directive 2002/96/EC on Waste Electrical and Electronic Equipment (WEEE).



ALPINESEMI

sales@alpinesemi.com

www.alpinesemi.com